



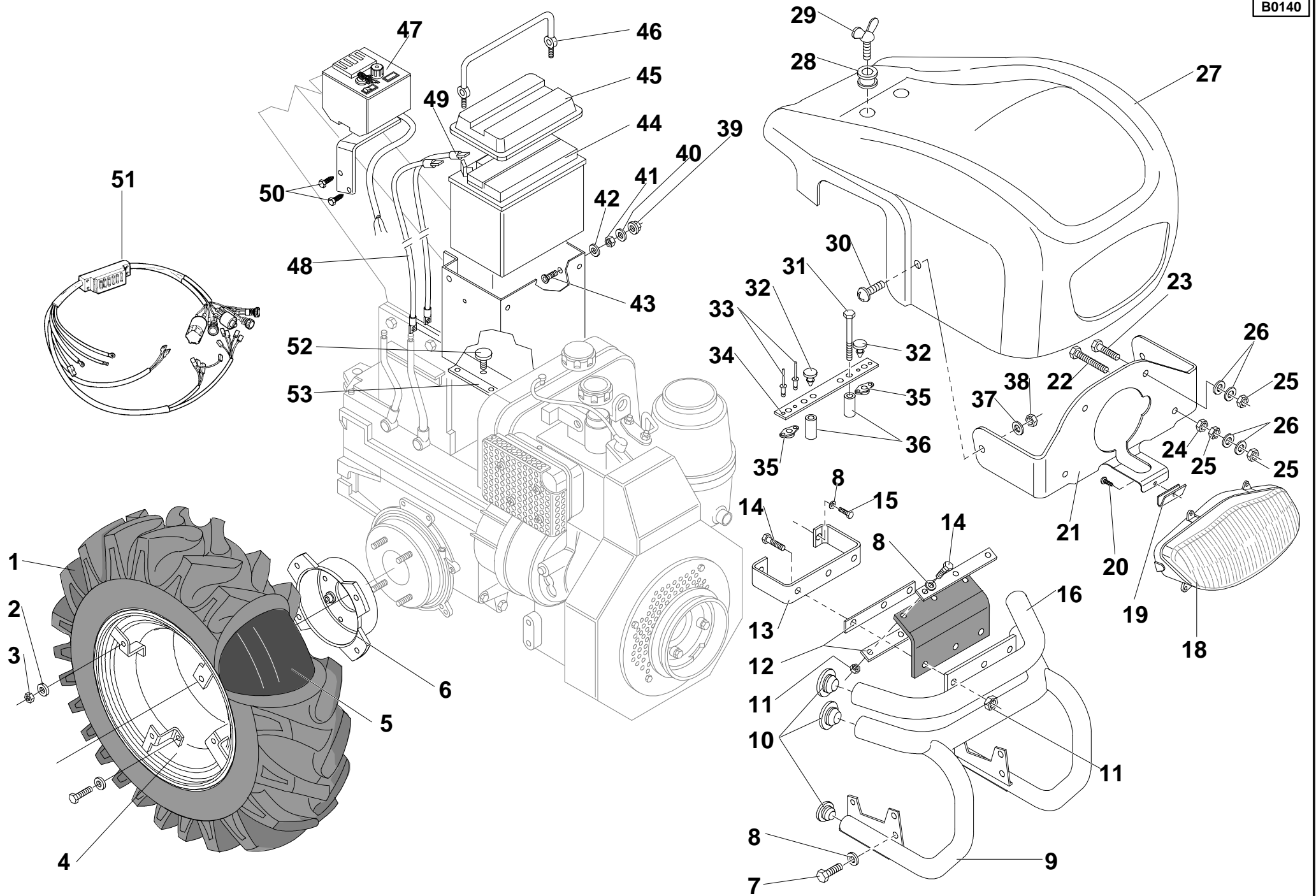
MECCANICA BENASSI S.r.l.

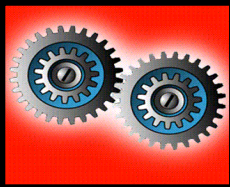
Model
MTC 621

www.benassi.it
ricambi@benassi.it
+39 0532 848193



IT - PARTI DI RICAMBIO
EN - SPARE PARTS
DE - ERSATZTEILE
FR - PIECES DE RECHANGE
ES - PIEZAS DE REPUESTO



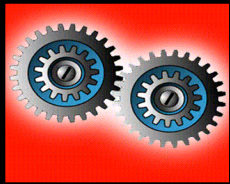


Tav:
COFANATURA

B0140

ENGINE COVER

| POS | CODE | DESCRIZIONE | BESCHREIBUNG | DESCRIPTION | DESCRIPTION | DESCRIZIONES |
|-----|----------|--|-------------------------|--------------------|----------------------|---------------------|
| 1 | 9906215 | COPERTURA 6.5/80-12 | Reifen | Tire | Pneumatique | Neumatico |
| 2 | 9052007 | ROSETTA PIANA M 12 ZINC. UNI 6592 | Unterlegscheibe | Washer | Rondelle | Arandela |
| 3 | 9032001 | DADO ALTO M 12 ZINC. UNI 5587 | Mutter | Nut | Ecrou | Tuerca |
| 4 | 9906646 | DISCO RUOTA ASS. | Felgen | Rims | Jantes | Llantas |
| 5 | 9906409 | CAMERA D'ARIA | Luftschlauch | Innertube | Chambreaair | Camaradeaire |
| 6 | 99 | NON FORNITO SINGOLARMENTE | Nicht Einzeln Lieferbar | Not Supplied Alone | Pas Vendus Tout Sou | Indisponible Suelto |
| 7 | 9011010 | VITE TE M 8X30 PUNI 5739 | Schraube | Screw | Vis | Tornillo |
| 8 | 9052002 | RONDELLA 8X16X1,6 PIANA Z. | Unterlegscheibe | Washer | Rondelle | Arandela |
| 9 | 1412091 | PARAURTI MOT. 3LD510 COF.ABS | Stoßdämpfer | Bumper | Pare-chocs | Parachoques |
| 10 | 9901135 | TAPPO TESTA DI TUBO ø 34 | Stopfen | Cap | Bouchon | Tapòn |
| 11 | 9023001 | DADO AUTOBL. BASSO | Mutter | Nut | Ecrou | Tuerca |
| 12 | 6803519 | LAMA ATTACCO COFANO 20X4 INFERIORE | Messer | Blade | Couteau | Cuchilla |
| 13 | 1412100 | DISTANZIALE SUPP. COFANO 3LD510 AE | Distanzstück | Spacer | Entretoise | Separador |
| 13 | 1412101 | DISTANZIALE SUPP. COFANO 3LD510 AU | Distanzstück | Spacer | Entretoise | Separador |
| 14 | 9011003 | VITE TE M 8 X 25 ZINC. UNI 5739 TF | Schraube | Screw | Vis | Tornillo |
| 15 | 9011018 | VITE TE M 8 X 16 ZINC. UNI 5739 TF | Schraube | Screw | Vis | Tornillo |
| 16 | 1412097 | SUPP. COFANO MOT. 3LD510 COF.ABS | Halterung | Support | Support | Soporte |
| 18 | 9750006 | FANALE ANTERIORE MOD.APRILIA | Scheinwerfer | Head-light | Phare | Faro |
| 19 | 9901762 | GUARNIZIONE DI PROT. PER TUBI SX/DX TR | Dichtung | Gasket | Joint | Junta |
| 20 | 9013102 | VITE AUTOF. TCC M 4,2 X 13 NICHELATA | Schraube | Screw | Vis | Tornillo |
| 21 | 1412083 | SUPPORTO F ANALE PER COFANO ABS. | Halterung | Support | Support | Soporte |
| 22 | 9011115 | VITE TE M 3 X 50 PUNI 5739 | Schraube | Screw | Vis | Tornillo |
| 23 | 9012062 | VITE TCEI M 3 X 14 PUNI 5931 | Schraube | Screw | Vis | Tornillo |
| 24 | 9031107 | DADO MEDIO M 3 PUNI 5588 | Mutter | Nut | Ecrou | Tuerca |
| 25 | 9024020 | DADO AUTOBL.ALTO M 3 PUNI 7473 | Mutter | Nut | Ecrou | Tuerca |
| 26 | 9110036 | ANELLO OR 2012 | O-Ring | OR Ring | Bague OR | Anillo OR |
| 27 | 1412102 | COFANO MOTORE ABS 3LD 510 C/FARO | Haube | Cover | Capot | Cofano |
| 27 | 1412103 | COFANO MOTORE ABS 3LD 510 S/FARO | Haube | Cover | Capot | Cofano |
| 28 | 9901131 | PASSACAVO ø 8 IN PVC | Festkeilen | Chock | Cable gland | Pasteca |
| 29 | 9901138 | PERNO RAPIDO CON TESTA AD ALETTE MC14 | Bolzen | Pin | Pivot | Perno |
| 30 | 9013115 | VITE TB M 5 X 16 T. CROCE ZINC. | Schraube | Screw | Vis | Tuerca |
| 31 | 9011031 | VITE TE M 8X100 | Schraube | Screw | Vis | Tornillo |
| 32 | 9901036 | ANTIVIBRANTI X COFANO | Gummipuffer | Cushion Rubber | Tampon En Caoutchouc | Supporte En Gomma |
| 33 | 9037106 | RIVETTO 2,9 X 10 IN ALLUMINIO | Niet | Rivet | Rivet | Remache |
| 34 | 1412099B | SUPP. ANTIVIBRANTI X COFANO ABS | Lager | Support | Support | Soporte |
| 35 | 9901141 | RICETTACOLO PER PERNO RAPIDO | Schnellkuppler | Quick Fitting | Prise Rapide | Enganche Rapido |
| 36 | 1412107 | DISTANZIALE X SUPP. SUP. COFANO Ø12 | Distanzstück | Spacer | Entretoise | Separador |
| 37 | 9052012 | RONDELLA 5X10X1 Z. | Unterlegscheibe | Washer | Rondelle | Arandela |
| 38 | 9024006 | DADO AUTOBL.ALTO M 5 ZINC. UNI 7473 | Mutter | Nut | Ecrou | Tuerca |
| 39 | 9025001 | DADO A CALOTTA M6 | Mutter | Nut | Ecrou | Tuerca |
| 40 | 9042016 | ROSETTA PIANA M 6 X 18 ZINC. UNI 6593 | Unterlegscheibe | Washer | Rondelle | Arandela |

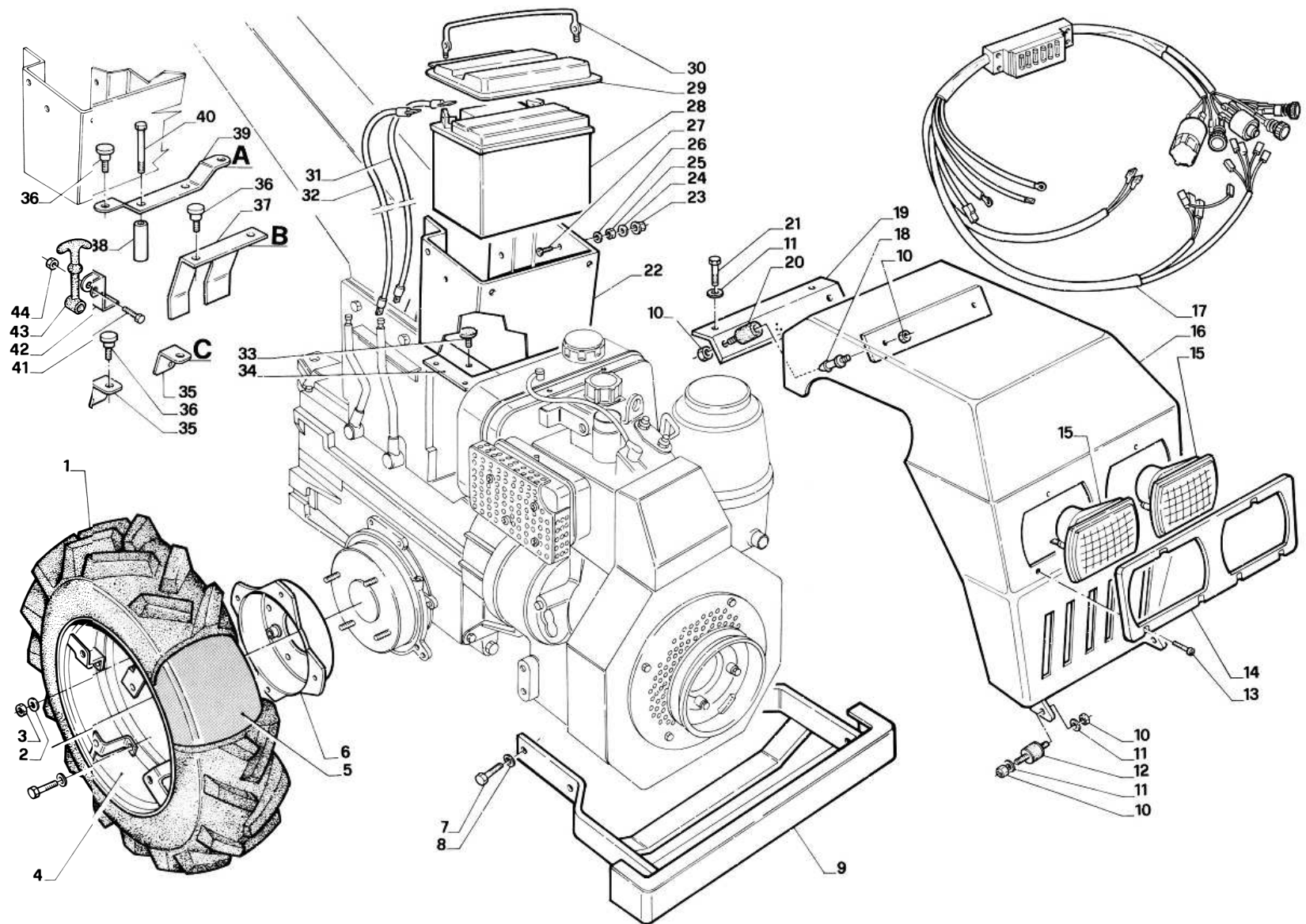


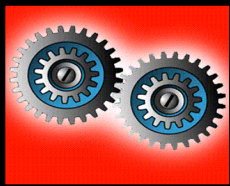
Tav:
COFANATURA

B0140

ENGINE COVER

| POS | CODE | DESCRIZIONE | BESCHREIBUNG | DESCRIPTION | DESCRIPTION | DESCRIZIONES |
|-----|---------|----------------------------------|-------------------------|----------------------|----------------------|-----------------------|
| 41 | 9024003 | DADO M6 | Mutter | Nut | Ecrou | Tuerca |
| 42 | 9052006 | ROSETTA PIANA Ø 6 | Unterlegscheibe | Washer | Rondelle | Arandela |
| 43 | 9901378 | ANTIV.M6ø20X13LUNG.FIL.=15 | Gummipuffer | Cushionrubber | Tamponencaoutchouc | Supporteengomma |
| 44 | 1605010 | BATTERIA | Batterie | Battery | Batterie | Bateria |
| 45 | 1401603 | COPERCHIO X BATTERIA | Deckel | Cover | Couvercle | Tapa |
| 46 | 9901417 | FERMA COPERCHIO | Klennstück | Clif | Agrafe | Sujetador |
| 47 | 99 | NON FORNITO SINGOLARMENTE | Nicht Einzeln Lieferbar | Not Supplied Alone | Pas Vendus Tout Soul | Indisponible Suelto |
| 48 | 99 | NON FORNITO SINGOLARMENTE | Nicht Einzeln Lieferbar | Not Supplied Alone | Pas Vendus Tout Soul | Indisponible Suelto |
| 49 | 99 | NON FORNITO SINGOLARMENTE | Nicht Einzeln Lieferbar | Not Supplied Alone | Pas Vendus Tout Soul | Indisponible Suelto |
| 50 | 9004104 | VITE AUTOF. TE 6,3 X 19+ ROSETTA | Schraube | Screw | Vis | Tornillo |
| 51 | 9901416 | IMPIANTO ELETTRICO | Elekt. Anlage | Electr. Installation | Équipement Electriq. | Instalación Electrica |
| 52 | 9901378 | ANTIV.M6ø20X13LUNG.FIL.=15 | Gummipuffer | Cushionrubber | Tamponencaoutchouc | Supporteengomma |
| 53 | 1401636 | SUPP. PER SCAT. VALVOLINE | Halterung | Support | Support | Soporte |
| 53 | 1401690 | SUPP. PER SCAT. VALVOLINE | Halterung | Support | Support | Soporte |



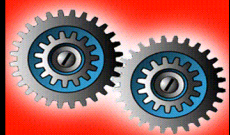


Tav:
COFANATURA

B0138

ENGINE BONNET

| POS | CODE | DESCRIZIONE | BESCHREIBUNG | DESCRIPTION | DESCRIPTION | DESCRIZIONES |
|-----|---------|---|-------------------------|----------------------|----------------------|-----------------------|
| 1 | 9906215 | COPERTURA 6.5/80-12 | Reifen | Tire | Pneumatique | Neumatico |
| 2 | 9052007 | ROSETTA PIANA M 12 ZINC. UNI 6592 | Unterlegscheibe | Washer | Rondelle | Arandela |
| 3 | 9032001 | DADO ALTO M 12 ZINC. UNI 5587 | Mutter | Nut | Ecrou | Tuerca |
| 4 | 9906646 | DISCO RUOTA ASS. | Felgen | Rims | Jantes | Llantas |
| 5 | 9906409 | CAMERA D'ARIA | Luftschlauch | Innertube | Chambreaair | Camaradeaire |
| 6 | 99 | NON FORNITO SINGOLARMENTE | Nicht Einzeln Lieferbar | Not Supplied Alone | Pas Vendus Tout Soul | Indisponible Suelto |
| 7 | 9011009 | VITE TE M 10X25 | Schraube | Screw | Vis | Tornillo |
| 8 | 9052001 | ROSETTA PIANA Ø 10 UNI 6592 | Unterlegscheibe | Washer | Rondelle | Arandela |
| 9 | 1401617 | PARAURTI ZAVORR. MOTR. RX100 | Stoßdämpfer | Bumper | Pare-Chocs | Parachoques |
| 9 | 1401622 | PARAURTI X MOT. 3LD 510 | Stoßdämpfer | Bumper | Pare-Chocs | Parachoques |
| 9 | 1401678 | PARAURTI X MOT. MD 150 | Stoßdämpfer | Bumper | Pare-Chocs | Parachoques |
| 9 | 6806548 | PARAURTI X MOT. LOMB. 400 | Stoßdämpfer | Bumper | Pare-Chocs | Parachoques |
| 9 | 6806529 | PARAURTI X MOT. RF 81 | Stoßdämpfer | Bumper | Pare-Chocs | Parachoques |
| 10 | 9024002 | DADO AUTOBL. M8 | Mutter | Nut | Ecrou | Tuerca |
| 11 | 9052010 | ROSETTA PIANA M 8 X 24 Z. UNI 6593 (FL) | Unterlegscheibe | Washer | Rondelle | Arandela |
| 12 | 9901351 | ANTIVIBRANTE | Gummipuffer | Cushion Rubber | Tampon En Caoutchouc | Supporte En Gomma |
| 13 | 99 | NON FORNITO SINGOLARMENTE | Nicht Einzeln Lieferbar | Not Supplied Alone | Pas Vendus Tout Soul | Indisponible Suelto |
| 14 | 6804560 | MASCHERINA COFANO FORATA | Grill | Grille | Calandre | Rejilla |
| 14 | 6804553 | MASCHERINA COFANO | Grill | Grille | Calandre | Rejilla |
| 15 | 1605004 | FANALE | Scheinwerfer | Head-Light | Phare | Faro |
| 16 | 1401651 | ASS. COFANO MOTORE RX 100 | Haube | Cover | Capot | Cofano |
| 16 | 1401623 | COFANO MOTORE 3LD 510 | Haube | Cover | Capot | Cofano |
| 16 | 1401685 | COFANO MOTORE MD 150 | Haube | Cover | Capot | Cofano |
| 16 | 6806524 | COFANO MOT. LD.400 - RF 81 | Haube | Cover | Capot | Cofano |
| 17 | 9901416 | IMPIANTO ELETTRICO | Elekt. Anlage | Electr. Installation | Équipement Electriq. | Instalación Electrica |
| 18 | 7005618 | PERNO ATTACCO COFANO | Zapfen | Pin | Pivot | Perno |
| 19 | 1401624 | SUPP. ATT. COFANO 3LD 510 | Halterung | Support | Support | Soporte |
| 20 | 9901275 | ANTIVIBRANTE | Gummipuffer | Cushion Rubber | Tampon En Caoutchouc | Supporte En Gomma |
| 21 | 9011018 | VITE TE M 8 X 16 ZINC. UNI 5739 TF | Schraube | Screw | Vis | Tornillo |
| 22 | 1401575 | PORTA BATTERIA 3LD 510 | Halterung | Support | Support | Soporte |
| 22 | 1401693 | PORTA BATTERIA MD 150 | Halterung | Support | Support | Soporte |
| 23 | 9025001 | DADO A CALOTTA M6 | Mutter | Nut | Ecrou | Tuerca |
| 24 | 9052013 | ROSETTA PIANA Ø6 | Unterlegscheibe | Washer | Rondelle | Arandela |
| 25 | 9024003 | DADO M6 | Mutter | Nut | Ecrou | Tuerca |
| 26 | 9052006 | ROSETTA PIANA Ø 6 | Unterlegscheibe | Washer | Rondelle | Arandela |
| 27 | 9013011 | VITE TCSEI M 6X20 | Schraube | Screw | Vis | Tornillo |
| 28 | 1605010 | BATTERIA | Batterie | Battery | Batterie | Bateria |
| 29 | 1401603 | COPERCHIO X BATTERIA | Deckel | Cover | Couvercle | Tapa |
| 30 | 9901417 | FERMA COPERCHIO | Klennstück | Clif | Agrafe | Sujetador |
| 31 | 99 | NON FORNITO SINGOLARMENTE | Nicht Einzeln Lieferbar | Not Supplied Alone | Pas Vendus Tout Soul | Indisponible Suelto |
| 32 | 99 | NON FORNITO SINGOLARMENTE | Nicht Einzeln Lieferbar | Not Supplied Alone | Pas Vendus Tout Soul | Indisponible Suelto |

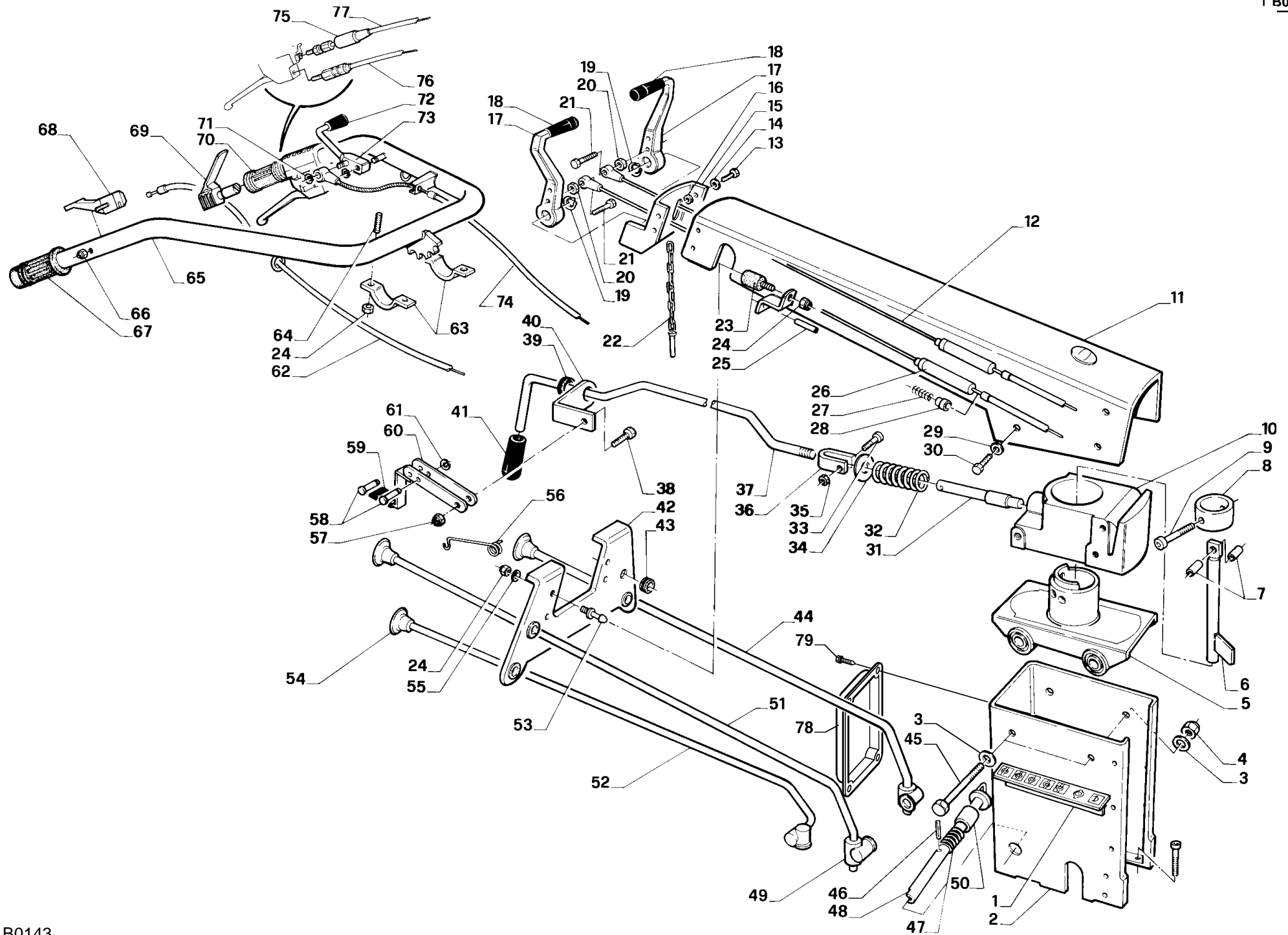


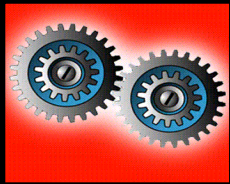
Tav:
COFANATURA

B0138

ENGINE BONNET

| POS | CODE | DESCRIZIONE | BESCHREIBUNG | DESCRIPTION | DESCRIPTION | DESCRIPCIONES |
|-----|---------|--------------------------------|-------------------------|--------------------|----------------------|---------------------|
| 33 | 9901414 | ANTIVIBRANTE | Gummipuffer | Cushion Rubber | Tampon En Caoutchouc | Supporte En Gomma |
| 34 | 1401636 | SUPP. PER SCAT. VALVOLINE | Halterung | Support | Support | Soporte |
| 34 | 1401690 | SUPP. PER SCAT. VALVOLINE | Halterung | Support | Support | Soporte |
| 35 | 1401696 | NON FORNITO SINGOLARMENTE | Nicht Einzeln Lieferbar | Not Supplied Alone | Pas Vendus Tout Seul | Indisponible Suelto |
| 36 | 9901036 | ANTIVIBRANTI X COFANO | Gummipuffer | Cushion Rubber | Tampon En Caoutchouc | Supporte En Gomma |
| 37 | 1401686 | SUPP. ANTIVIB. MOT.MD 150 | Halterung | Support | Support | Soporte |
| 38 | 1401644 | DISTANZIALE X SUPP. COFANO | Abstandstück | Spacer | Entretoise | Separador |
| 39 | 6803516 | SUPP. ANTIVIB. MOT. LD 400 | Halterung | Support | Support | Soporte |
| 40 | 9011031 | VITE TE M 8X100 | Schraube | Screw | Vis | Tornillo |
| 41 | 9901034 | PERNO | Zapfen | Pin | Pivot | Perno |
| 42 | 1401654 | ATT. TIRANTE MOT. RF 91-LD 400 | Anschluss | Connection | Attelage | Conexion |
| 42 | 1401691 | ATT. TIRANTE MOT. MD 150 | Anschluss | Connection | Attelage | Conexion |
| 43 | 9901033 | TIRANTE COFANO | Zugbolzen | Tie Rod | Tirant | Tirante |
| 44 | 9901032 | ANELLO DI FERMO | Sicherungsring | Lockring | Bague D'Arret | Anillo De Tope |






Tav:
STEGOLE

B0143

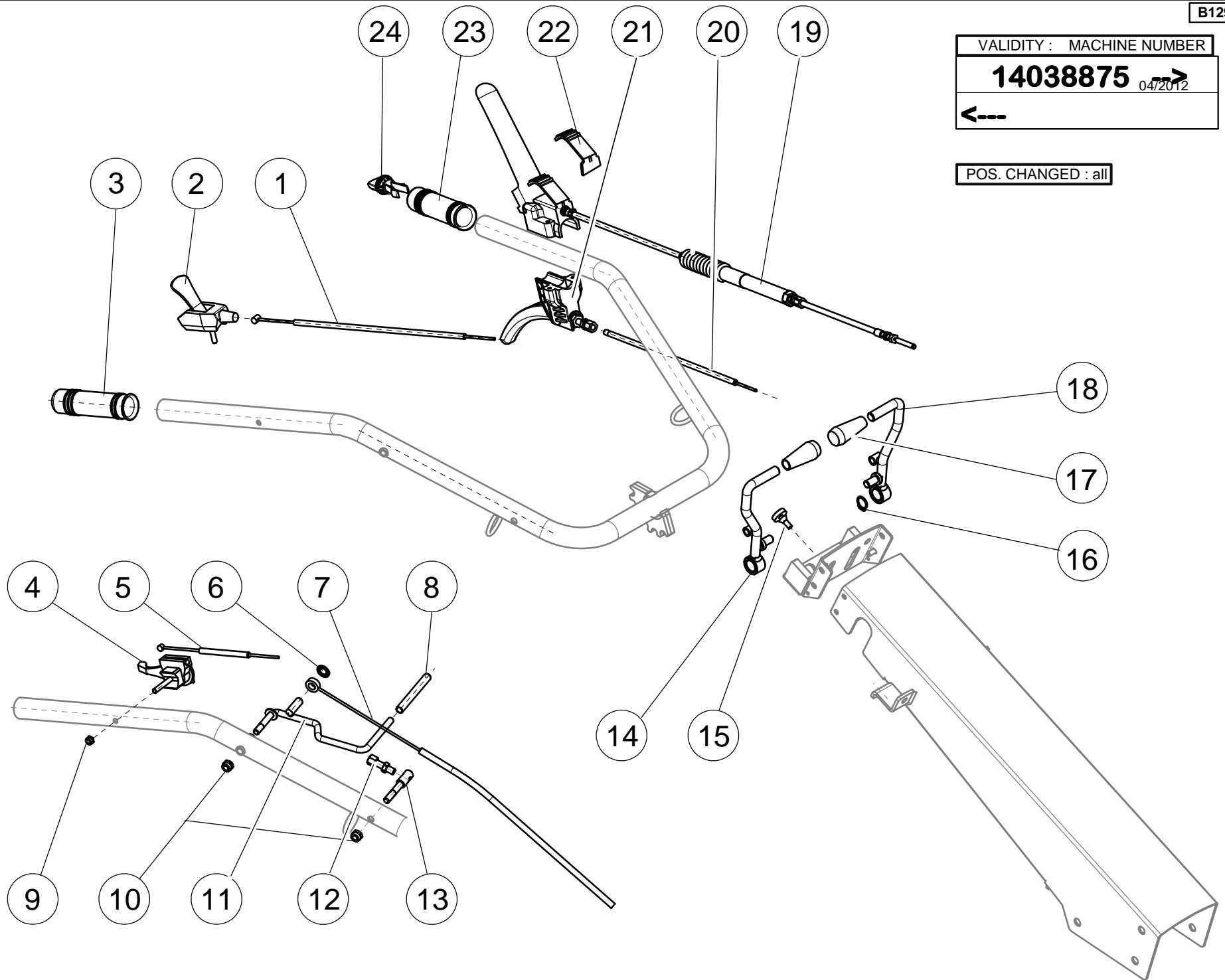
HANDHOLM

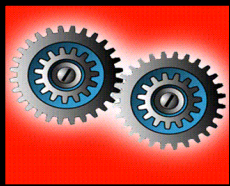
| POS | CODE | DESCRIZIONE | BESCHREIBUNG | DESCRIPTION | DESCRIPTION | DESCRIZIONES |
|-----|---------|---------------------------------------|-----------------|----------------|----------------------|-------------------|
| 1 | 1401621 | SUPP. DECALCOMANIE MARCE+PTO | Halterung | Support | Support | Soporte |
| 2 | 1401574 | SUPP. PIANTONE CON FORO | Halterung | Support | Support | Soporte |
| 3 | 9052008 | ROSETTA PIANA M14 ZINC. UNI 7473 | Unterlegscheibe | Washer | Rondelle | Arandela |
| 4 | 9023002 | DADO AUTOBL. M14 ZN BASSO DIN 985 | Mutter | Nut | Ecrou | Tuerca |
| 5 | 1401595 | BASE STERZO | Halterung | Support | Support | Soporte |
| 6 | 1401626 | PERNO X ROT.BLOCC.ANTINF. | Bolzen | Pin | Pivot | Perno |
| 7 | 1401639 | DISTANZIALE PERNO ANTINF. | Distanzstück | Spacer | Entretoise | Separador |
| 8 | 1401640 | ANELLO PASSA CAVI PIANTONE | Ring | Ring | Bague | Anillo |
| 9 | 9012041 | VITE TCEI M 10 X 80 TF | Schraube | Screw | Vis | Tornillo |
| 10 | 1401566 | SUPP. PIANTONE STERZO | Halterung | Support | Support | Soporte |
| 11 | 1401576 | PIANTONE STEGOLE MC14 | Halterung | Support | Support | Soporte |
| 12 | 8995040 | TRASM. FRENI MC14+GUAINA LUNGA | Bowdenzüge | Transmission | Transmission | Transmision |
| 13 | 9011013 | VITE TE M 6 X 16 ZINC. UNI 5739 TF | Schraube | Screw | Vis | Tornillo |
| 14 | 9042016 | ROSETTA PIANA M 6 X 18 ZINC. UNI 6593 | Unterlegscheibe | Washer | Rondelle | Arandela |
| 15 | 1401612 | PIASTRA LEVE FRENI - ASS. | Platte | Plate | Paque | Placa |
| 16 | 9031002 | DADO BASSO M 6 ZINC. UNI 5589 | Mutter | Nut | Ecrou | Tuerca |
| 17 | 6804542 | LEVA FRENO | Hebel | Lever | Levier | Palanca |
| 18 | 9901004 | POMELLO Ø 10 | Griff | Hand-Grip | Poignée | Empuñadura |
| 19 | 9059003 | ANELLO SEEGER Ø 16 E | Sicherungsring | Lockring | Bague d'arret | Anillo de tope |
| 20 | 9031004 | DADO BASSO M 10 ZINC. UNI 5589 | Mutter | Nut | Ecrou | Tuerca |
| 21 | 9011009 | VITE TE M 10X25 | Schraube | Screw | Vis | Tornillo |
| 22 | 9035002 | SPINA FERMA LEVA C/CATENA | Stift | Elastic Pin | Goupille | Pasador |
| 23 | 9901275 | ANTIVIBRANTE | Gummipuffer | Cushion Rubber | Tampon En Caoutchouc | Supporte En Gomma |
| 24 | 9024002 | DADO AUTOBL. M8 | Mutter | Nut | Ecrou | Tuerca |
| 25 | 9131009 | SPINA SPIROL 6 X 20 | Stift | Elastic Pin | Goupille | Pasador |
| 26 | 9901029 | TUBOGUIDAMOLLA | Rohr | Hose | Tuyau | Tubo |
| 27 | 6804521 | MOLLA FRENI (AMMORT.) | Feder | Spring | Ressort | Resorte |
| 28 | 9901023 | BUSSOLA A GRADINO | Büchse | Bushing | Douille | Casquillo |
| 29 | 9052001 | ROSETTA PIANA Ø 10 UNI 6592 | Unterlegscheibe | Washer | Rondelle | Arandela |
| 30 | 9011015 | VITE T.E. M 10X20 | Schraube | Screw | Vis | Tornillo |
| 31 | 1401607 | PERNO BLOCCAGGIO PIANTONE MC14 | Bolzen | Pin | Pivot | Perno |
| 32 | 1401662 | MOLLA PIANTONE | Feder | Spring | Ressort | Resorte |
| 33 | 9011076 | VITE TE M 5x30 UNI 5739 TF | Schraube | Screw | Vis | Tornillo |
| 34 | 9052007 | ROSETTA PIANA M 12 ZINC. UNI 6592 | Unterlegscheibe | Washer | Rondelle | Arandela |
| 35 | 9032006 | DADO ALTO M 5 PUNI 5587 | Mutter | Nut | Ecrou | Tuerca |
| 36 | 1401648 | FORCELLA ASTA BLOCC.PIANT. | Gabelstück | Fork | Fourche | Horquilla |
| 37 | 1401646 | ASTA BLOCC. PIANTONE MC14 | Schalthebel | Shift lever | Levier | Palanca |
| 38 | 9011078 | VITE TE M 10 X 50 ZINC. UNI 5737 | Schraube | Screw | Vis | Tornillo |
| 39 | 9901003 | PASSACAVO Ø 12 IN PVC | Festkeilen | Chock | Cable gland | Pasteca |
| 40 | 1401708 | SUPPORTO LEVA ASTA PIANTONE | Halterung | Support | Support | Soporte |
| 41 | 9901236 | POMELLO Ø 8 | Griff | Hand-grip | Poignée | Empuñadura |

| | POS | CODE | DESCRIZIONE | BESCHREIBUNG | DESCRIPTION | DESCRIPTION | DESCRIZIONES |
|---|----------|-----------------------------------|---------------------------------------|-----------------|--------------|--------------------|-------------------|
|  Tav: STEGOLE B0143 HANDHOLM | 42 | 1401638 | SUPP. ASTE CAMBIO | Halterung | Support | Support | Soporte |
| | 43 | 7003543 | ANELLO INTERNO GUIDA LEVA | Sicherungsring | Lock Ring | Bague d'arret | Arandela De Freno |
| | 43 | 7003544 | ANELLO ESTERNO GUIDA LEVA | Sicherungsring | Lock Ring | Bague d'arret | Arandela De Freno |
| | 44 | 1401634 | ASTA CAMBIO STANDARD | Schalthebel | Shift lever | Levier | Palanca |
| | 45 | 9011074 | VITE TE M 14 X 160 PUNI 5737 | Schraube | Screw | Vis | Tornillo |
| | 46 | 9131002 | SPINA SPIROL 4 X 24 UNI 6875 | Spannstift | Spring Pin | Goupille Elastique | Pasador Elastico |
| | 47 | 0001041B | MOLLA ALBERINO R.M. | Feder | Spring | Ressort | Resorte |
| | 48 | 1401694 | PERNO BLOCC. INNESTO PTO | Bolzen | Pin | Pivot | Perno |
| | 49 | 9901413 | SNODO X ASTE T.N. | Gelenk | Articulation | Articulation | Articulacion |
| | 50 | 1401695 | DISTANZIALE GUIDA MOLLA | Distanzstück | Spacer | Entretoise | Separador |
| | 51 | 1401635 | ASTA LENTE/VELOCI STANDARD | Schalthebel | Shift lever | Levier | Palanca |
| | 52 | 1401633 | ASTA PTO STANDARD | Schalthebel | Shift lever | Levier | Palanca |
| | 53 | 7005566 | ATTACCO ANTIVIBRANTE MC68 | Anschluss | Connection | Attelage | Conexion |
| | 54 | 9901081 | POMELLO M 10 SFERICO | Griff | Hand-grip | Poignée | Empuñadura |
| | 55 | 9052002 | RONDELLA 8X16X1,6 PIANA Z. | Unterlegscheibe | Washer | Rondelle | Arandela |
| | 56 | 1603002 | MOLLA RIT. LEVA REG. STERZO MC | Feder | Spring | Ressort | Resorte |
| | 57 | 9023007 | DADO AUTOBL.BASSO M 10 ZINC. UNI 7474 | Mutter | Nut | Ecrou | Tuerca |
| | 58 | 1603042 | PERNO REGISTRO STEGOLE | Bolzen | Pin | Pivot | Perno |
| | 59 | 9901083 | MANOPOLA PIATTA 20X5 | Griff | Hand-grip | Poignee | Manecilla |
| | 60 | 6803560 | LEVA REGOLAZIONE STEGOLE | Hebel | Lever | Levier | Palanca |
| | 61 | 9059022 | ANELLO SEEGER ø 10 E DIN 471 | Ring | Ring | Bague | Anillo |
| | 62 | 8996022 | TRASM. ACCEL. MC 14-27-68 | Bowdenzüge | Transmission | Transmission | Transmision |
| | 63 | 6803537 | PIASTRINA ATTACCO STEGOLE | Platte | Plate | Plaque | Placa |
| | 64 | 9040018 | PRIGIONIERO M 8X25 | Stiftschraube | Stud bolt | Prisonnier | Esparrago |
| | 65 | 1401629 | STEGOLE MC 14 | Fuehrungsholm | Handlebar | Mancheron | Manillar |
| | 66 | 9023003 | DADO AUTOBL. BASSO M6 ZINC UNI 7474 | Mutter | Nut | Ecrou | Tuerca |
| | 67 | 9901362 | MANOPOLA DX | Griff | Hand-grip | Poignee | Manecilla |
| | 68 | 9901150 | MANETTINO GAS (2T) | Gashebel | Gas lever | Manette | Palanquita gas |
| | 69 | 9901368 | LEVA MOTORSTOP | Hebel | Lever | Levier | Palanca |
| 70 | 9901363 | MANOPOLA SX | Griff | Hand-grip | Poignee | Manecilla | |
| 71 | 9901366 | LEVA FRIZIONE | Hebel | Lever | Levier | Palanca | |
| 72 | 9901236 | POMELLO Ø 8 | Griff | Hand-grip | Poignée | Empuñadura | |
| 73 | 1401628 | LEVA EST. BLOCC. DIFF. MC14 | Hebel | Lever | Levier | Palanca | |
| 74 | 8995039A | TRASM. DIFF. MC14 | Bowdenzüge | Transmission | Transmission | Transmision | |
| 75 | 9901372 | CUFFIA | Kappe | Casing | Casque | Casquete | |
| 76 | 8994004 | TRASM. FRIZIONE MC14 | Bowdenzüge | Transmission | Transmission | Transmision | |
| 77 | 8997009 | TRASM. MOTORSTOP LUNGO MC 14-68 | Bowdenzüge | Transmission | Transmission | Transmision | |
| 78 | 1401717 | COPERCHIO FORO AVV: EL. | Deckel | Cover | Couvercle | Tapa | |
| 79 | 9004101 | VITE AUTOFIL, M4,8Mx19Z c/rosetta | Schraube | Screw | Vis | Tornillo | |

VALIDITY : MACHINE NUMBER
14038875 →
04/2012
←---

POS. CHANGED : all



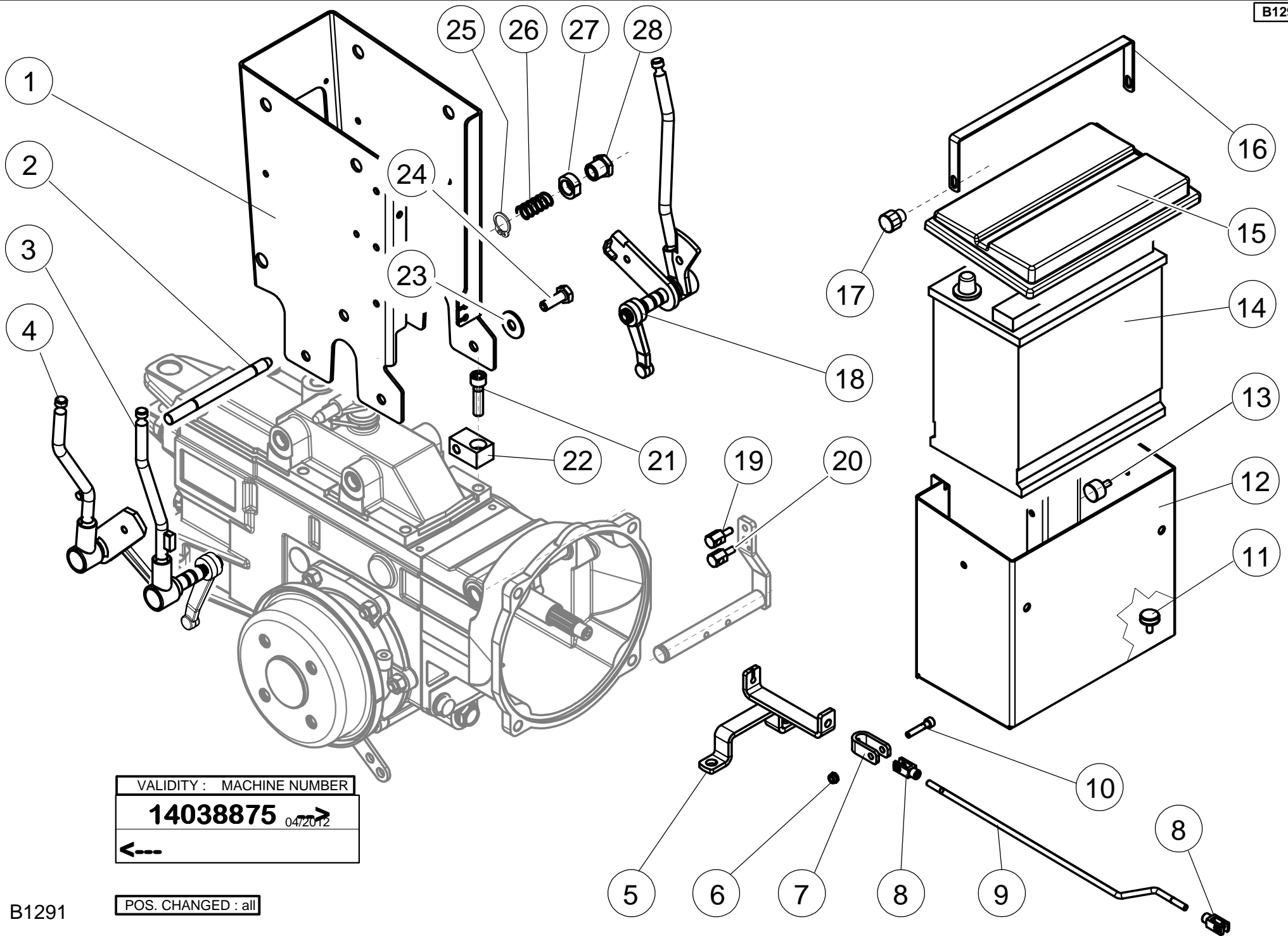


Tav:
NUOVI COMANDI 2012

B1290

NEW CONTROL LEVER

| POS | CODE | DESCRIZIONE | BESCHREIBUNG | DESCRIPTION | DESCRIPTION | DESCRIZIONES |
|-----|-----------|--|----------------|----------------|----------------------|--------------------------|
| 1 | 213319 | CAVO COMANDO MOTORSTOP DIES | Kabel | Cable | Cable | Cable |
| 2 | 223367 | COMANDO STOP MOTORE DIESEL | Stopper | stop | arrêt | dispositivo de detención |
| 3 | 9901821 | MANOPOLA ø 27 CHIUSA MF34-49 | Griff | Handle | Poignee | Manecilla |
| 4 | 219800 | MANETTINO ACCELER.METALLICO | Gashebel | Lever Throttle | Levier D'Gaz | Accelerador |
| 5 | 8996022 | TRASM. ACCEL. MC 14-27-68 | Bowdenzüge | Transmission | Transmission | Transmision |
| 6 | 9901673 | ROSETTAFERMABOTTONE | Ring | Ring | Bague | Anillo |
| 7 | 8995039A | TRASM. DIFF. MC14 | Bowdenzüge | Transmission | Transmission | Transmision |
| 8 | 9901370 | MANOPOLAINVINILEø8X100 | Griff | Handle | Poignee | Manecilla |
| 9 | 1441500X1 | DADO AUTOBL.ALTO M 6 ZINC. UNI 7473 6S | Mutter | Nut | Ecrou | Tuerca |
| 10 | 3000193X1 | DADO AUTOBL.BASSO M 8 ZINC. UNI 7474 | Mutter | Nut | Ecrou | Tuerca |
| 11 | 7003636 | LEVA RM | Hebel | Lever | Levier | Palanca |
| 12 | 205038 | VITE REGISTRO M 8 CH.12X38 | Schraube | Screw | Vis | Tornillo |
| 13 | 7003631 | PIOLOSUPP.REGISTROSTERZO | Bolzen | Pin | Pivot | Perno |
| 14 | 6803750 | LEVA FRENO DX MC 14-68 | Hebel | Lever | Levier | Palanca |
| 15 | 9901036 | ANTIVIBRANTI X COFANO | Gummipuffer | Cushion Rubber | Tampon En Caoutchouc | Supporte En Gomma |
| 16 | 339276X1 | ANELLO SEEGER ø 16 E DIN 471 | Drahtsprenging | Stop Ring | Bague D'Arret | Anillo De Tope |
| 17 | 9901040 | POMELLO ø 12 LUNGO IN PVC | Griff | Hand-grip | Poignée | Empuñadura |
| 18 | 6803751 | LEVA FRENO SX MC 14-68 | Hebel | Lever | Levier | Palanca |
| 19 | 1412140B | GRUPPO LEVA FRIZ + DISPOSITIVO F.ROV | Hebel | Lever | Levier | Palanca |
| 20 | 8994015 | TRASM. FRIZIONE MC14 F.ROV. | Bowdenzüge | Transmission | Transmission | Transmision |
| 21 | 9901197 | LEVA COMANDO FRIZIONE MC14 | Hebel | Lever | Levier | Palanca |
| 22 | 9901821 | MANOPOLA ø 27 CHIUSA MF34-49 | Griff | Handle | Poignee | Manecilla |
| 23 | 223430 | MANOPOLA ø 27 FORO TONDO ø 18 | Griff | Handle | Poignee | Manecilla |
| 24 | 223387 | PUNTALE PER MANOPOLA D. 27 | Endschuh | Terminal | Embout | Terminal |
| - | | *PRIGIONIERO M 8 X 40 ZINC. | | | | |



VALIDITY : MACHINE NUMBER
14038875 →
← 0472012

B1291

POS. CHANGED : all

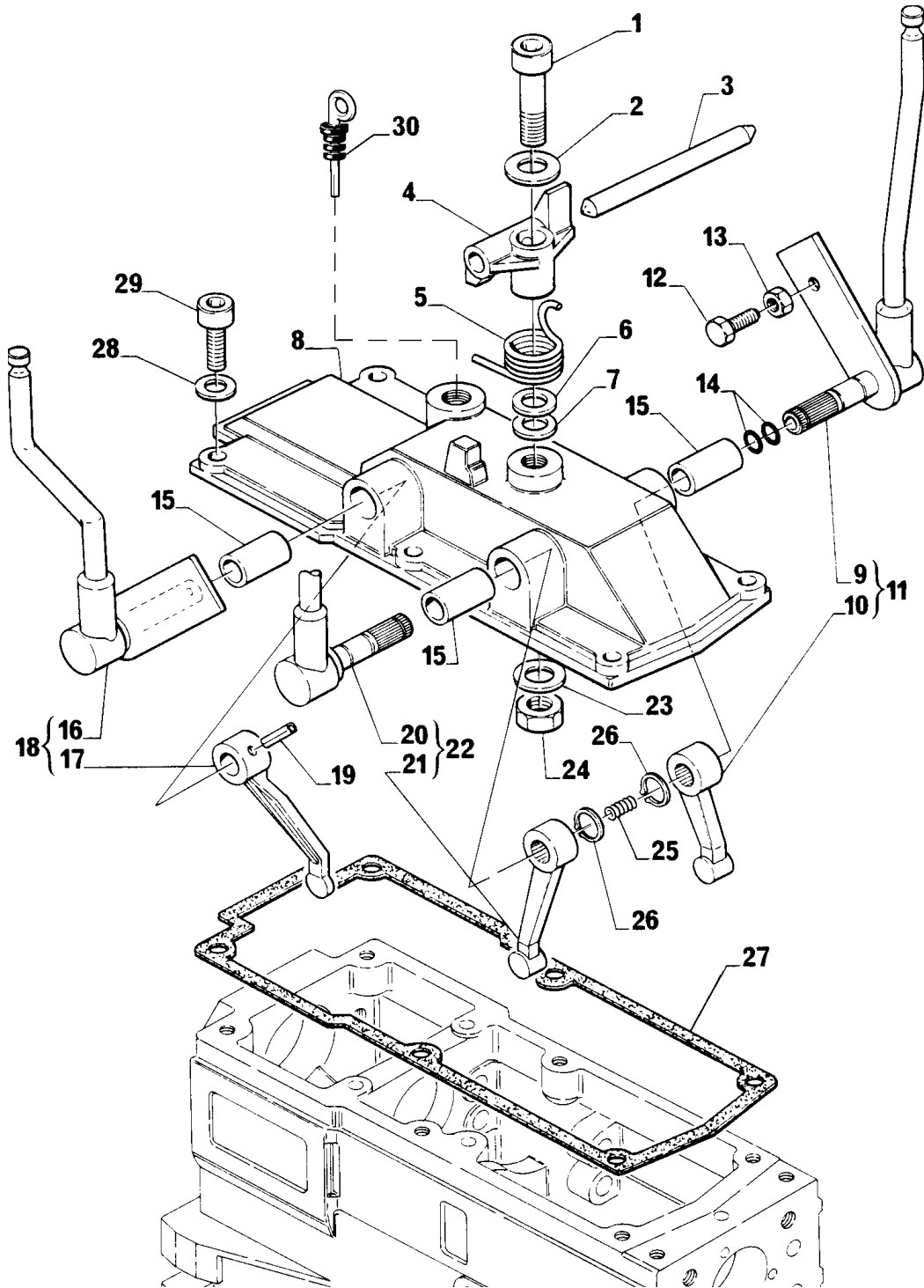


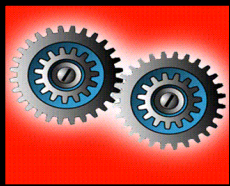
Tav:
SUPPORTO STEGOLE 20

B1291

HANDLEBAR SUPPORT 2012

| POS | CODE | DESCRIZIONE | BESCHREIBUNG | DESCRIPTION | DESCRIPTION | DESCRIPCIONES |
|-----|-----------|--|-----------------|----------------|----------------------|-------------------|
| 1 | 1701770A | SUPP. PIANTONE CON FORO NT. | Halterung | Support | Support | Soporte |
| 2 | 1401774 | PERNO ANTINFORTUNISTICA | Bolzen | Pin | Pivot | Perno |
| 3 | 1401778 | LEVA MARCE ASSIEME MC14 | Hebel | Lever | Levier | Palanca |
| 4 | 1401589 | LEVA PTO MC14 | Hebel | Lever | Levier | Palanca |
| 5 | 1401679 | SUPP. ASTA PROLUNGA LEVA FRIZIONE | Halterung | Support | Support | Soporte |
| 6 | 1441500X1 | DADO AUTOBL.ALTO M 6 ZINC. UNI 7473 6S | Mutter | Nut | Ecrou | Tuerca |
| 7 | 1401681 | CONTRO FORCELLA PROL. FRIZ. | Gabelstuck | Fork | Fourche | Horquilla |
| 8 | 9901419 | FORCELLA 6X30 | | 2,21 | Fourche | Horquilla |
| 9 | 1401680A | ASTA LEVA FRIZIONE | Schalthebel | Shift lever | Levier | Palanca |
| 10 | 9012039 | VITE TCEI M 6 X 30 ZINC. UNI 5931 | Schraube | Screw | Screw | Tornillo |
| 11 | 9901520 | ANTIVIBRANTE M 6 ø 20X 7 LUNG. FIL.=15 | Gummipuffer | Cushion rubber | Tampon en caoutchouc | Supporte en gomme |
| 12 | 1401771A | CASSETTA BATTERIA MC14 3LD510-MD 150 | Kasten | Case | Boitier | Caja |
| 13 | 9901378 | ANTIV.M6ø20X13LUNG.FIL.=15 | Gummipuffer | Cushionrubber | Tamponencaoutchouc | Supporteengomma |
| 14 | 1605010 | BATTERIA | Batterie | Battery | Batterie | Bateria |
| 15 | 1401603 | COPERCHIO X BATTERIA | Deckel | Cover | Couvercle | Tapa |
| 16 | 1412138 | FERMO COPERCHIO BATTERIA | Halterung | Stop | Arrêt | Pare |
| 17 | 9901747 | POMELLO M 6 A VOLANTINO | Griff | Hand-grip | Poignée | Empuñadura |
| 18 | 1401777 | LEVA EST. LENTE-VELOCI MC14 ASS. | Hebel | Lever | Levier | Palanca |
| 19 | 1401775 | GUIDAFILO ESAGONALE M 6 FORO ø 7 | Fuehrung | Guide | Guide | Guia |
| 20 | 1401779 | GUIDAFILO ESAGONALE M 6 FORO ø 4,5 | Fuehrung | Guide | Guide | Guia |
| 21 | 391188X1 | VITE TCEI M 10 X 40 ZINC. UNI 5931 | Schraube | Screw | Vis | Tornillo |
| 22 | 1401772 | BLOCCHETTO 20X40 PER SUPP. PIANTONE | Block | Block | Bloc | Bloque |
| 23 | 390597X1 | ROSETTA PIANA M 10 X 30 Z. UNI 6593 (FL) | Unterlegscheibe | Washer | Rondelle | Arandela |
| 24 | 9011006 | VITE TE M 10 X 30 ZINC. UNI 5739 TF | Schraube | Screw | Vis | Tornillo |
| 25 | 1440474X1 | ANELLO SEEGER ø 12 E DIN 471 | Sicherungsring | Ring Snap | Circlip | Anillo Elastico |
| 26 | 3676000M1 | MOLLA PER CHIAVISTELLO | Feder | Spring | Ressort | Resorte |
| 27 | 3702410 | SPESSORE PER LEVA INN. 4RM | Distanzstück | Spacer | Entretoise | Separador |
| 28 | 1401577 | BOCCOLA X PERNO BLOC.DIFF. LUNGA | Büchse | Bushing | Douille | Casquillo |



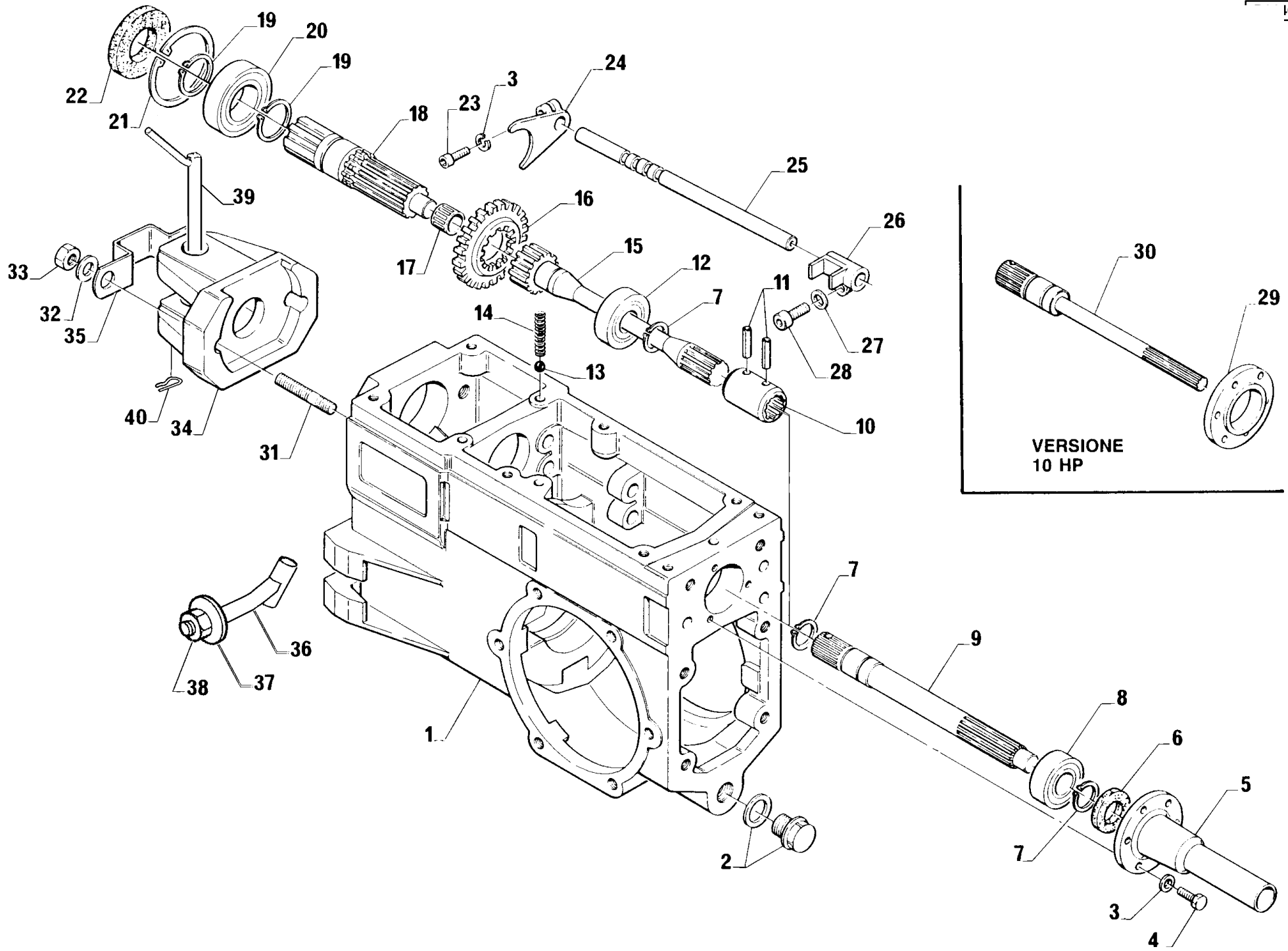


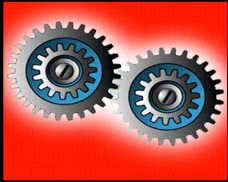
Tav:
LEVE MARCE

B0144

GEARBOX LEVERS

| POS | CODE | DESCRIZIONE | BESCHREIBUNG | DESCRIPTION | DESCRIPTION | DESCRIPCIONES |
|-----|---------|------------------------------------|------------------------|--------------------|----------------------|---------------------|
| 1 | 9002069 | VITE TCEI M 14 X 65 N UNI 5931 | Schraube | Screw | Vis | Tornillo |
| 2 | 8900019 | RASAMENTO 15,2-24,9-0,6 | Ring | Ring | Bague | Anillo |
| 3 | 1401590 | PERNO ANTINFORTUNISTICA | Bolzen | Pin | Pivot | Perno |
| 4 | 1401573 | SNODO ANTINFORTUNISTICA | Gelenk | Articulation | Articulation | Articulacion |
| 5 | 1401579 | MOLLA ANTINFORTUNISTICA | Feder | Spring | Ressort | Resorte |
| 6 | 8900010 | RASAMENTO14,2-24,8-0,8 | Ring | Ring | Bague | Anillo |
| 7 | 8900072 | RASAMENTO14,2-24,9-0,2 | Ring | Ring | Bague | Anillo |
| 8 | 1401539 | COPERCHIO CAMBIO | Deckel | Cover | Couvercle | Tapa |
| 9 | 99 | NON FORNITO SINGOLARMENTE | Nicht Einzel lieferbar | Not Supplied Alone | Pas Vendus Tout Soul | Indisponible Suelto |
| 10 | 99 | NON FORNITO SINGOLARMENTE | Nicht Einzel lieferbar | Not Supplied Alone | Pas Vendus Tout Soul | Indisponible Suelto |
| 11 | 1401542 | LEVA MARCE ASSIEME MC14 | Hebel | Lever | Levier | Palanca |
| 12 | 9001014 | VITE TE M 8 X 16 N UNI 5739 TF | Schraube | Screw | Vis | Tornillo |
| 13 | 9021001 | DADO BASSO M 8 NERO | Mutter | Nut | Ecrou | Tuerca |
| 14 | 9110007 | ANELLO OR 140 - 114 | O-Ring | OR Ring | Bague OR | Anillo OR |
| 15 | 1401551 | BOCCOLA SINT. 15-20-35 | Büchse | Bushing | Douille | Casquillo |
| 16 | 99 | NON FORNITO SINGOLARMENTE | Nicht Einzel lieferbar | Not Supplied Alone | Pas Vendus Tout Soul | Indisponible Suelto |
| 17 | 99 | NON FORNITO SINGOLARMENTE | Nicht Einzel lieferbar | Not Supplied Alone | Pas Vendus Tout Soul | Indisponible Suelto |
| 18 | 1401589 | LEVA PTO MC14 | Hebel | Lever | Levier | Palanca |
| 19 | 9131004 | SPINA SPIROL 6 X 30 | Stift | Elastic Pin | Goupille | Pasador |
| 20 | 99 | NON FORNITO SINGOLARMENTE | Nicht Einzel lieferbar | Not Supplied Alone | Pas Vendus Tout Soul | Indisponible Suelto |
| 21 | 99 | NON FORNITO SINGOLARMENTE | Nicht Einzel lieferbar | Not Supplied Alone | Pas Vendus Tout Soul | Indisponible Suelto |
| 22 | 1401548 | LEVA EST. LENTE-VELOCI MC14 ASS. | Hebel | Lever | Levier | Palanca |
| 23 | 9022004 | DADO ALTO M 14 N | Mutter | Nut | Ecrou | Tuerca |
| 24 | 9051007 | ROSETTA GROWER M 14 ZINC. UNI 1751 | Unterlegscheibe | Washer | Rondelle | Arandela |
| 25 | 3703184 | MOLLA PTO TERATRAC | Feder | Spring | Ressort | Resorte |
| 26 | 9059004 | ANELLO SEEGER ø 14 E DIN 471 | | 0,13 | Bague d'arret | Anillo de tope |
| 27 | 1401543 | GUARNIZIONE SUPERIORE MC 14 | Dichtung | Gasket | Joint | Junta |
| 28 | 9043002 | ROSETTA ZIGRINATA SCHNORR D.10 | Unterlegscheibe | Washer | Washer | Arandela |
| 29 | 9002010 | VITE TCEI M 10 X 30 N UNI 5931 | Schraube | Screw | Vis | Tornillo |
| 30 | 9901415 | TAPPO OLIO C.ASTA L=175 | Stopfen | Cap | Bouchon | Tapòn |



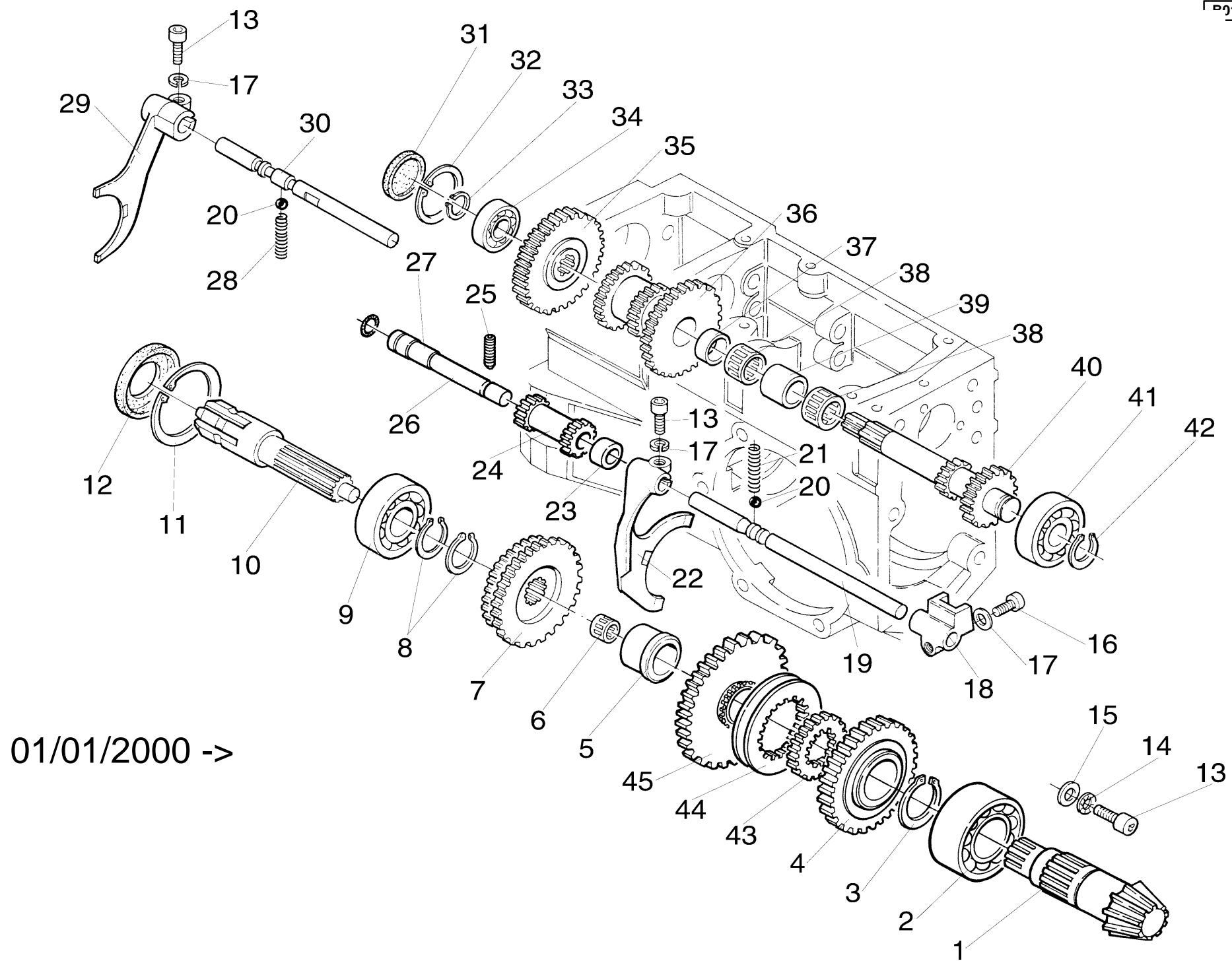


Tav:
ALBERO PRIMARIO

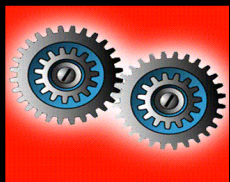
B0146

MAIN SHAFT

| POS | CODE | DESCRIZIONE | BESCHREIBUNG | DESCRIPTION | DESCRIPTION | DESCRIZIONES |
|-----|---------|------------------------------------|-----------------|--------------|-----------------|-------------------|
| 1 | 3702796 | CARTER CAMBIO | Abdeckung | Lid | Couvercle | Tapa |
| 2 | 9901377 | TAPPO SCARICO OLIO TSC3- 1_2 Inch | Stopfen | Cap | Bouchon | Tapòn |
| 3 | 9043003 | ROSETTA SCHNORR ø 6 ZINC. | Unterlegscheibe | Washer | Rondelle | Arandela |
| 4 | 9011002 | VITE TE M 6 X 20 ZINC. UNI 5739 TF | Schraube | Screw | Vis | Tornillo |
| 5 | 1401536 | MANICOTTO FRIZIONE 14 HP | Muffe | Coupling | Manchon | Manguito |
| 6 | 9111061 | ANELLO DI TENUTA 20-35- 7 | Ring | Ring | Bague | Anillo |
| 7 | 9059001 | ANELLO SEEGER ø 20 E DIN 471 | Ring | Ring | Bague | Anillo |
| 8 | 9102025 | CUSC.A SFERE 63004 2RS | Kugellager | Bearing | Roulement | Cojinete |
| 9 | 1401509 | ALBERO PRIMARIO | Welle | Shaft | Arbre | Arbol |
| 10 | 1401508 | MANICOTTO DI GIUNZIONE | Muffe | Coupling | Manchon | Manguito |
| 11 | 9131015 | SPINA SPIROL 5 X 30 UNI 6875 | Stift | Elastic Pin | Goupille | Pasador |
| 12 | 9101004 | CUSC.A SFERE 6204 | Kugellager | Bearing | Roulement | Cojinete |
| 13 | 9120010 | SFERA 5/16 ø 7,938 | Kugel | Ball | Sphere | Bola |
| 14 | 3703182 | MOLLA CAMBIO L = 32,8 | Feder | Spring | Ressort | Resorte |
| 15 | 1401510 | ALBERO CON INGRANAGGIO | Welle | Shaft | Arbre | Arbol |
| 16 | 1401512 | INGRANAGGIO COMANDO VEL. | Zahnrad | Cogged wheel | Roue dentée | Rueda dentada |
| 17 | 9106006 | GABBIA RULLINI K 14-18-13 | Nadelkafig | Roller Cage | Cage A Rouleaux | Jaula De Rodillos |
| 18 | 1401511 | ALBERO P.T.O SUPERIORE | Welle | Shaft | Arbre | Arbol |
| 19 | 9059010 | ANELLO SEEGER ø 30 E DIN 471 | Sicherungsring | Lockring | Bague d'arret | Anillo de tope |
| 20 | 9101013 | CUSC.A SFERE 6206 | Kugellager | Bearing | Roulement | Cojinete |
| 21 | 9058008 | ANELLO SEEGER ø 62 I DIN 472 | Ring | Ring | Bague | Anillo |
| 22 | 9111046 | PARAOLIO 30-62-7 | Dichtung | Gasket | Joint | Junta |
| 23 | 9002021 | VITE TCEI M 6x16 N | Schraube | Screw | Vis | Tornillo |
| 24 | 1401538 | FORCELLA MARCE 37-MC14 | Gabelstuck | Fork | Fourche | Horquilla |
| 25 | 1401533 | ASTA INTERNA CAMBIO 37-MC14 | Schalthebel | Shift lever | Levier | Palanca |
| 26 | 1401550 | GUIDA ASTA MARCE | Gleitbahn | Slide | Guide | Guia |
| 27 | 9043001 | ROSETTA SCHNOOR ø 8 | Unterlegscheibe | Washer | Rondelle | Arandela |
| 28 | 9002024 | VITE TCEI M 8X16 N | Schraube | Screw | Vis | Tornillo |
| 29 | 1401572 | MANICOTTO FRIZIONE 10 HP | Muffe | Coupling | Manchon | Manguito |
| 30 | 1401563 | ALBERO PRIMARIO 10 HP | Welle | Shaft | Arbre | Arbol |
| 31 | 9040028 | PRIGIONIERO M 14 X 40 PASS. | Stiftschraube | Stud bolt | Prisonnier | Esparrago |
| 32 | 9051007 | ROSETTA GROWER M 14 ZINC. UNI 1751 | Unterlegscheibe | Washer | Rondelle | Arandela |
| 33 | 9022004 | DADO ALTO M 14 N | Mutter | Nut | Ecrou | Tuerca |
| 34 | 1401504 | GANCIO TRAINO POST. | Hacken | Hook | Accrochage | Gancho |
| 35 | 1408014 | COPRI PTO IN LAMIERA | Schutz | Guard | Protection | Proteccion |
| 36 | 1401570 | TIRANTE FRESA CM 12 M 16 | Zugbolzen | Tie rod | Tirant | Tirante |
| 37 | 1401687 | RONDELLA X TIRANTE FRESA D.16 | Unterlegscheibe | Washer | Rondelle | Arandela |
| 38 | 9032004 | DADO ESAG. M16 ZN B. ALTO UNI 5587 | Mutter | Nut | Ecrou | Tuerca |
| 39 | 2143540 | PERNO TRAINO | Bolzen | Pin | Pivot | Perno |
| 40 | 9901101 | COPIGLIA ø 4 A 'R' ZINC. UNI 8833 | Splint | Pin | Goupille | Clavija |



01/01/2000 ->

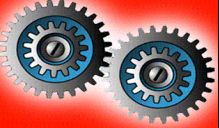


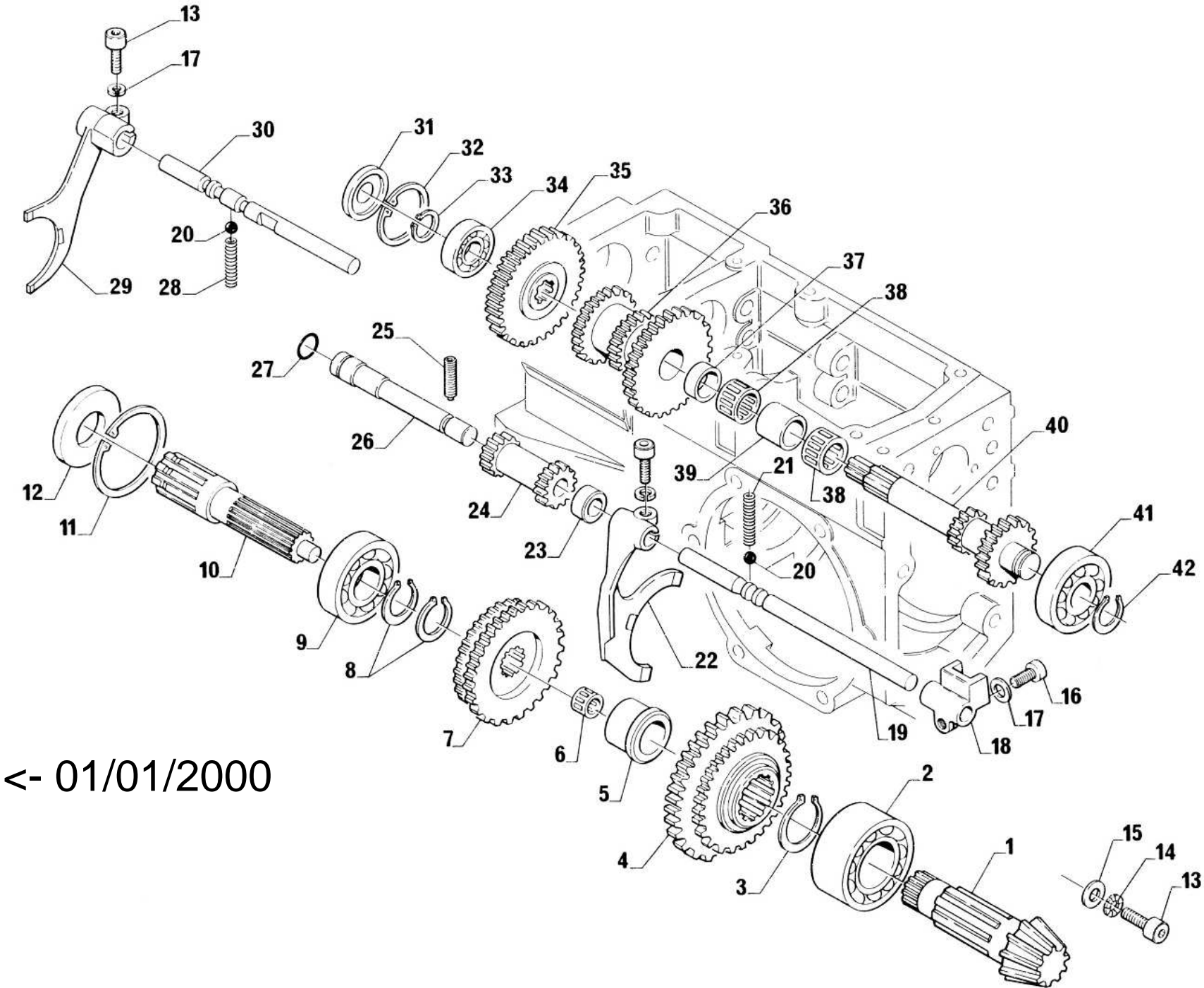
Tav:
CAMBIO

B0147

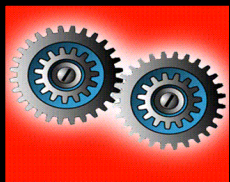
GEARBOX

| POS | CODE | DESCRIZIONE | BESCHREIBUNG | DESCRIPTION | DESCRIPTION | DESCRIZIONES |
|-----|---------|---|-----------------|----------------|---------------------|-------------------|
| 1 | 3702725 | PIGNONE CONICO | Ritzel | Pinion | Pignon | Piñon |
| 2 | 9109005 | CUSCINETTO 3207A | Kugellager | Bearing | Roulement | Cojinete |
| 3 | 9059007 | ANELLO SEEGER ø 35 E DIN 471 | Ring | Ring | Bague | Anillo |
| 4 | 3702723 | INGRANAGGIO Z.28 | Zahnrad | Cogged wheel | Roue dentée | Rueda dentada |
| 5 | 1401557 | BOCCOLA DI SUPP. | Büchse | Bushing | Douille | Casquillo |
| 6 | 9106003 | CUSC. A RULLINI K12-15-13 | Nadellager | Needle Bearing | Roulement Aiguilles | Cojinete De Aguja |
| 7 | 1401518 | INGRANAGGIO SCORREVOLE | Zahnrad | Cogged Wheel | Roue Dentée | Engranaje |
| 8 | 9059005 | ANELLO SEEGER ø 25 E DIN 471 | Ring | Ring | Bague | Anillo |
| 9 | 9101011 | CUSCINETTO 6305 | Kugellager | Bearing | Roulement | Cojinete |
| 10 | 1401517 | ALBERO P.T.O. INFERIORE | Welle | Shaft | Arbre | Arbol |
| 11 | 9058008 | ANELLO SEEGER ø 62 I DIN 472 | Ring | Ring | Bague | Anillo |
| 12 | 9111046 | PARAOILIO 30-62-7 | Dichtung | Gasket | Joint | Junta |
| 13 | 9002007 | VITE TCEI M 8X20N | Schraube | Screw | Vis | Tornillo |
| 14 | 9041001 | ROSETTA GROWER Ø 8N | Unterlegscheibe | Washer | Rondelle | Arandela |
| 15 | 9052010 | ROSETTA PIANA M 8 X 24 Z. UNI 6593 (FL) | Unterlegscheibe | Washer | Rondelle | Arandela |
| 16 | 9002024 | VITE TCEI M 8X16 N | Schraube | Screw | Vis | Tornillo |
| 17 | 9043001 | ROSETTA SCHNOOR Ø 8 | Unterlegscheibe | Washer | Rondelle | Arandela |
| 18 | 1401549 | GUIDA ASTA LENTE E VELOCI | Dichtung | Gasket | Joint | Junta |
| 19 | 3702797 | ASTA INTERNA LENTE E VELOCI | Schalthebel | Shift lever | Levier | Palanca |
| 20 | 9120010 | SFERA 5/16 ø 7,938 | Kugel | Ball | Sphere | Bola |
| 21 | 3703184 | MOLLA PTO TERATRAC | Feder | Spring | Ressort | Resorte |
| 22 | 1401531 | FORCELLA LENTE E VELOCI | Gabelstuck | Fork | Fourche | Horquilla |
| 23 | 1401583 | DISTANZIALE INGRANAGGIO RM | Distanzstuck | Spacer | Entretoise | Separador |
| 24 | 1401506 | ASS. INGRANAGGIO RM | Zahnrad | Cogged Wheel | Roue Dentée | Engranaje |
| 25 | 9046003 | GRANO M6X18 | Schraube | Screw | Vis | Tornillo |
| 26 | 1401529 | ALBERINO INGRANAGGIO RM | Welle | Shaft | Arbre | Arbol |
| 27 | 9110008 | ANELLO OR 119 NBR | O-Ring | OR Ring | Bague OR | Anillo OR |
| 28 | 3703183 | MOLLA L/V L = 45,5 | Feder | Spring | Ressort | Resorte |
| 29 | 1401530 | FORCELLA P.T.O. | Gabelstuck | Fork | Fourche | Horquilla |
| 30 | 1401532 | ASTA P.T.O. | Stange | Rod | Tige | Asta |
| 31 | 1401558 | COPERCHIETTO DI TENUTA | Deckel | Cover | Couvercle | Tapa |
| 32 | 9058006 | ANELLO SEEGER Ø 40 I | Sicherungsring | Lockring | Bague d'arret | Anillo de tope |
| 33 | 9059003 | ANELLO SEEGER Ø 16 E | Sicherungsring | Lockring | Bague d'arret | Anillo de tope |
| 34 | 9101029 | CUSCINETTO 4203 A | Kugellager | Bearing | Roulement | Cojinete |
| 35 | 1401514 | INGRANAGGIO | Zahnrad | Cogged Wheel | Roue Dentée | Engranaje |
| 36 | 1401515 | INGRANAGGIO SECONDARIO | Zahnrad | Cogged Wheel | Roue Dentée | Engranaje |
| 37 | 1401555 | DISTANZIALE CORTO | Distanzstuck | Spacer | Entretoise | Separador |
| 38 | 9106013 | CUSCI. A RULLINI K20-24-17 | Nadellager | Needle Bearing | Roulement Aiguilles | Cojinete De Aguja |
| 39 | 1401556 | DISTANZIALE | Distanzstuck | Spacer | Entretoise | Separador |
| 40 | 3702721 | ALBERO SCANAL.+INGRANAG. | Welle | Shaft | Arbre | Arbol |
| 41 | 9101007 | CUSC.A SFERE 6006 | Kugellager | Bearing | Roulement | Cojinete |

| POS | CODE | DESCRIZIONE | BESCHREIBUNG | DESCRIPTION | DESCRIPTION | DESCRIPCIONES |
|--|------|---------------------------------------|-----------------|--------------|-----------------|----------------|
|  | 42 | 9059010 ANELLO SEEGER ø 30 E DIN 471 | Sicherungsring | Lockring | Bague d'arret | Anillo de tope |
| <hr/> Tav: CAMBIO B0147 GEARBOX | 43 | 3702724 MANICOTTO BROCCIATO | Muffe | Coupling | Manchon | Manguito |
| | 44 | 3702728 INNESTO LENTE-VELOCI TERATRAC | Kupplungshälfte | Slider | Moite embrayage | Inesto |
| | 45 | 3702722 INGRANAGGIO Z.34 | Zahnrad | Cogged wheel | Roue dentée | Rueda dentada |
| | | | | | | |



<- 01/01/2000




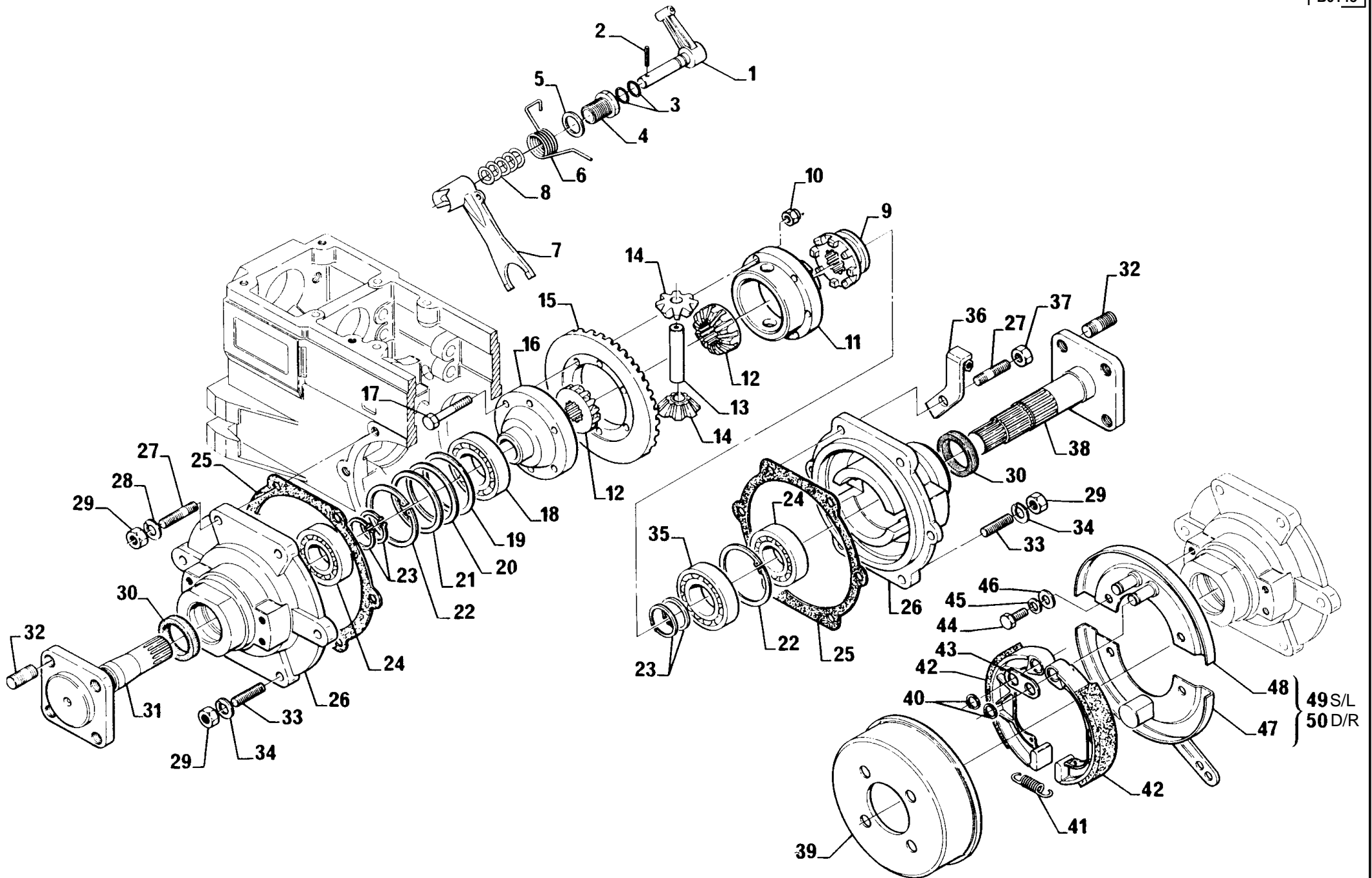
Tav:
CAMBIO ANTE 2000

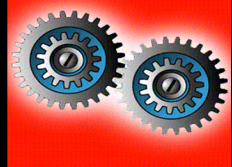
B0139

GEARBOX UNTIL 2000

| POS | CODE | DESCRIZIONE | BESCHREIBUNG | DESCRIPTION | DESCRIPTION | DESCRIZIONES |
|-----|---------|---|-----------------|----------------|---------------------|--------------------|
| 1 | 1401520 | PIGNONE CONICO | Ritzel | Pinion | Pignon | Piñon |
| 2 | 9109005 | CUSCINETTO 3207A | Kugellager | Bearing | Roulement | Cojinete |
| 3 | 9059007 | ANELLO SEEGER ø 35 E DIN 471 | Ring | Ring | Bague | Anillo |
| 4 | 1401519 | INGRANAGGIO DI RIDUZIONE | Zahnrad | Cogged Wheel | Roue Dentée | Engranaje |
| 5 | 1401557 | BOCCOLA DI SUPP. | Büchse | Bushing | Douille | Casquillo |
| 6 | 9106003 | CUSC. A RULLINI K12-15-13 | Nadellager | Needle Bearing | Roulement Aiguilles | Cojinete De Agujas |
| 7 | 1401518 | INGRANAGGIO SCORREVOLE | Zahnrad | Cogged Wheel | Roue Dentée | Engranaje |
| 8 | 9059005 | ANELLO SEEGER ø 25 E DIN 471 | Ring | Ring | Bague | Anillo |
| 9 | 9101011 | CUSCINETTO 6305 | Kugellager | Bearing | Roulement | Cojinete |
| 10 | 1401517 | ALBERO P.T.O. INFERIORE | Welle | Shaft | Arbre | Arbol |
| 11 | 9058008 | ANELLO SEEGER ø 62 I DIN 472 | Ring | Ring | Bague | Anillo |
| 12 | 9111046 | PARAOILIO 30-62-7 | Dichtung | Gasket | Joint | Junta |
| 13 | 9002007 | VITE TCEI M 8X20N | Schraube | Screw | Vis | Tornillo |
| 14 | 9041001 | ROSETTA GROWER Ø 8N | Unterlegscheibe | Washer | Rondelle | Arandela |
| 15 | 9052010 | ROSETTA PIANA M 8 X 24 Z. UNI 6593 (FL) | Unterlegscheibe | Washer | Rondelle | Arandela |
| 16 | 9002024 | VITE TCEI M 8X16 N | Schraube | Screw | Vis | Tornillo |
| 17 | 9043001 | ROSETTA SCHNOOR Ø 8 | Unterlegscheibe | Washer | Rondelle | Arandela |
| 18 | 1401549 | GUIDA ASTA LENTE E VELOCI | Dichtung | Gasket | Joint | Junta |
| 19 | 1401534 | ASTA LENTE E VELOCI | Stange | Rod | Tige | Asta |
| 20 | 9120010 | SFERA 5/16 ø 7,938 | Kugel | Ball | Sphere | Bola |
| 21 | 1401560 | MOLLA | Feder | Spring | Ressort | Resorte |
| 22 | 1401531 | FORCELLA LENTE E VELOCI | Gabelstuck | Fork | Fourche | Horquilla |
| 23 | 1401583 | DISTANZIALE INGRANAGGIO RM | Distanzstuck | Spacer | Entretoise | Separador |
| 24 | 1401506 | ASS. INGRANAGGIO RM | Zahnrad | Cogged Wheel | Roue Dentée | Engranaje |
| 25 | 9046003 | GRANO M6X18 | Schraube | Screw | Vis | Tornillo |
| 26 | 1401529 | ALBERINO INGRANAGGIO RM | Welle | Shaft | Arbre | Arbol |
| 27 | 9110008 | ANELLO OR 119 NBR | O-Ring | OR Ring | Bague OR | Anillo OR |
| 28 | 1401729 | MOLLA | Feder | Spring | Ressort | Resorte |
| 29 | 1401530 | FORCELLA P.T.O. | Gabelstuck | Fork | Fourche | Horquilla |
| 30 | 1401532 | ASTA P.T.O. | Stange | Rod | Tige | Asta |
| 31 | 1401558 | COPERCHIETTO DI TENUTA | Deckel | Cover | Couvercle | Tapa |
| 32 | 9058006 | ANELLO SEEGER Ø 40 I | Sicherungsring | Lockring | Bague d'arret | Anillo de tope |
| 33 | 9059003 | ANELLO SEEGER Ø 16 E | Sicherungsring | Lockring | Bague d'arret | Anillo de tope |
| 34 | 9101029 | CUSCINETTO 4203 A | Kugellager | Bearing | Roulement | Cojinete |
| 35 | 1401514 | INGRANAGGIO | Zahnrad | Cogged Wheel | Roue Dentée | Engranaje |
| 36 | 1401515 | INGRANAGGIO SECONDARIO | Zahnrad | Cogged Wheel | Roue Dentée | Engranaje |
| 37 | 1401555 | DISTANZIALE CORTO | Distanzstuck | Spacer | Entretoise | Separador |
| 38 | 9106013 | CUSCI. A RULLINI K20-24-17 | Nadellager | Needle Bearing | Roulement Aiguilles | Cojinete De Agujas |
| 39 | 1401556 | DISTANZIALE | Distanzstuck | Spacer | Entretoise | Separador |
| 40 | 1401516 | ALBERO CON INGRANAGGIO | Welle | Shaft | Arbre | Arbol |
| 41 | 9101003 | CUSC.A SFERE 6304 | Kugellager | Bearing | Roulement | Cojinete |

| POS | CODE | DESCRIZIONE | BESCHREIBUNG | DESCRIPTION | DESCRIPTION | DESCRIPCIONES |
|--|------|--------------------------------------|--------------|-------------|-------------|---------------|
|  | 42 | 9059001 ANELLO SEEGER ø 20 E DIN 471 | Ring | Ring | Bague | Anillo |
| <p>Tav: CAMBIO ANTE 2000</p> | | | | | | |
| <p>B0139</p> <p>GEARBOX UNTIL 2000</p> | | | | | | |



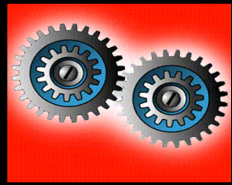


Tav:
DIFFERENZIALE

B0148

DIFFERENTIAL

| POS | CODE | DESCRIZIONE | BESCHREIBUNG | DESCRIPTION | DESCRIPTION | DESCRIZIONES |
|-----|----------|---------------------------------------|-----------------|-----------------|--------------------|--------------------|
| 1 | 1401584 | LEVA EST. BLOC. DIFF. 37-53-MC14 ASS. | Hebel | Lever | Levier | Palanca |
| 2 | 9131003 | SPINA SPIROL 5 X 24 UNI 6875 | Spannstift | Spring Pin | Goupille Elastique | Pasador Elastico |
| 3 | 9110004 | ANELLO OR 80 - 108 | O-Ring | O-Ring | Joint Torique | Anillo Torico |
| 4 | 1401577 | BOCCOLA X PERNO BLOC.DIFF. LUNGA | Büchse | Bushing | Douille | Casquillo |
| 5 | 9901409 | RONDELLA AL Ø 18X24X1,5 | Scheibe | Washer | Rondelle | Arandela |
| 6 | 1401616 | MOLLA ESTERNA DIFFERENZIALE | Feder | Spring | Ressort | Resorte |
| 7 | 1401537 | FORCELLA BLOCCAGGIO DIFF. | Gabelstuck | Fork | Fourche | Horquilla |
| 8 | 0001041B | MOLLA ALBERINO R.M. | Feder | Spring | Ressort | Resorte |
| 9 | 1401683 | INNESTO DIFFERENZIALE | Kupplungshälfte | Slider | Moite embrayage | Inesto |
| 10 | 9024102 | DADO METALBLOC M 8 ZINC. DIN 980 | Mutter | Nut | Ecrou | Tuerca |
| 11 | 1401684 | COPERCHIO DIFFERENZ.+INN. | Deckel | Cover | Couvercle | Tapa |
| 12 | 1401526 | PLANETARIO | Planetenrad | Planet-gear | Roue dentée | Planetario |
| 13 | 1401507 | ALBERINO PORTA SATELLITE | Welle | Shaft | Arbre | Eje |
| 14 | 1401525 | SATELLITE | Satellit | Satellit | Roue dentée | Satelite |
| 15 | 1401521 | CORONA CONICA | Tellerrad | Ring Bevel Gear | Couronne Conique | Corona Conica |
| 16 | 1401524 | COPERCHIO DIFFERENZIALE | Deckel | Cover | Couvercle | Tapa |
| 17 | 9002070 | VITE TCEI M 8 X 55 N 12.9 K UNI 5931 | Schraube | Screw | Vis | Tornillo |
| 18 | 9101009 | CUSC.A SFERE 6207 | Kugellager | Ball Bearing | Roulement A Billes | Rodamiento De Bola |
| 19 | 8900098 | RASAMENTO 60,3-71,7-1 | Ring | Ring | Bague | Anillo |
| 20 | 8900096 | RASAMENTO 62,2-71,8-0,5 | Ring | Ring | Bague | Anillo |
| 21 | 8900095 | RASAMENTO 62,2-71,8-0,2 | Ring | Ring | Bague | Anillo |
| 22 | 9058008 | ANELLO SEEGER Ø 62 I DIN 472 | Ring | Ring | Bague | Anillo |
| 23 | 9059010 | ANELLO SEEGER Ø 30 E DIN 471 | Sicherungsring | Lockring | Bague d'arret | Anillo de tope |
| 25 | 1401553 | GUARNIZIONE LATERALE MC 14 | Dichtring | Gasket | Joint | Junta |
| 24 | 9101013 | CUSC.A SFERE 6206 | Kugellager | Bearing | Roulement | Cojinete |
| 26 | 1401503 | COPERCHIO RUOTE | Deckel | Cover | Couvercle | Tapa |
| 27 | 9040019 | PRIGIONIERO M 10 X 26 X 40 TOT.PASS. | Stiftschraube | Stud bolt | Prisonnier | Esparrago |
| 28 | 9041003 | ROSETTA GROWER Ø 10 | Unterlegscheibe | Washer | Rondelle | Arandela |
| 29 | 9022003 | DADO ALTO M10 | Mutter | Nut | Ecrou | Tuerca |
| 30 | 9112008 | ANELLO TENUTA 35-47-7 DOPPIO LABBRO | Dichtring | Seal Ring | Bague d'étanchèité | Anillo Reten |
| 31 | 1401527 | SEMIASSE CORTO | Achswelle | Axle shaft | Demi-essieu | Semieje |
| 32 | 9040031 | PRIGIONIERO M 12 X 33 PL=46 | Stiftschraube | Stud bolt | Prisonnier | Esparrago |
| 33 | 9040019 | PRIGIONIERO M 10 X 26 X 40 TOT.PASS. | Stiftschraube | Stud bolt | Prisonnier | Esparrago |
| 34 | 9043002 | ROSETTA ZIGRINATA SCHNORR D.10 | Unterlegscheibe | Washer | Washer | Arandela |
| 35 | 9101015 | CUSC.A SFERE 6306 | Kugellager | Ball Bearing | Roulement A Billes | Rodamiento De Bola |
| 36 | 1401645 | FERMA FILO BLOCC.DIFF. | Klennstück | Clif | Agrafe | Sujetador |
| 37 | 9021002 | DADO BASSO M 10 NERO | Mutter | Nut | Ecrou | Tuerca |
| 38 | 1401528 | SEMIASSE LUNGO | Achswelle | Axle shaft | Demi-essieu | Semieje |
| 39 | 1401604 | TAMBURO FRENI MC14 | Bremstrommel | Brake Drum | Tambour De Frein | Tambor De Freno |
| 40 | 9059021 | ANELLO SEEGER Ø 12 E DIN 471 | Ring | Ring | Bague | Anillo |
| 41 | 1401668 | MOLLA GANASCE FRENI | Feder | Spring | Ressort | Resorte |

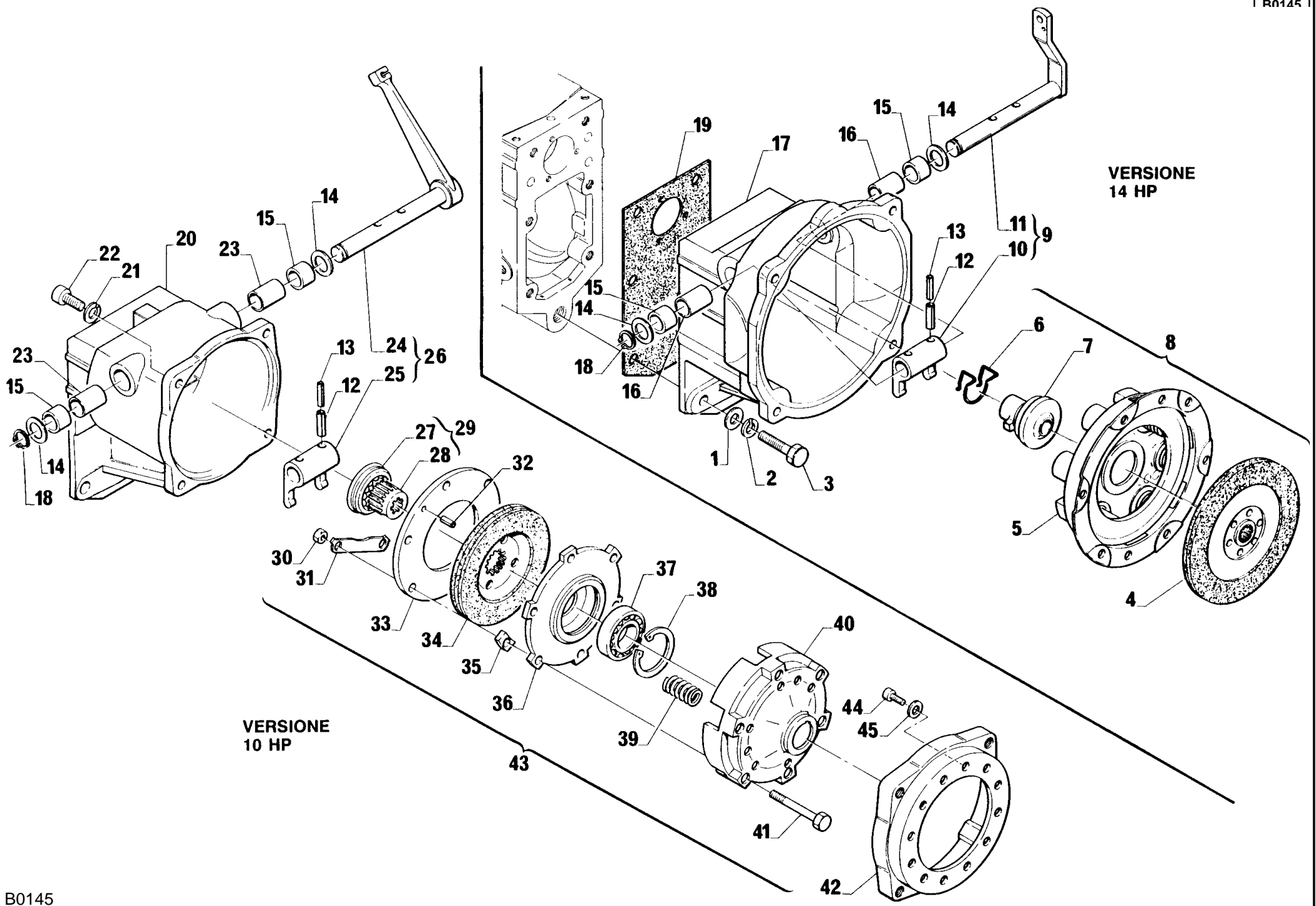


Tav:
DIFFERENZIALE

B0148

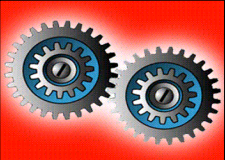
DIFFERENTIAL

| POS | CODE | DESCRIZIONE | BESCHREIBUNG | DESCRIPTION | DESCRIPTION | DESCRIPCIONES |
|-----|---------|-------------------------------------|-------------------------|--------------------|----------------------|---------------------|
| 42 | 1401669 | GANASCIA FRENO TERATRAC | Bremse | Brake | Frein | Freno |
| 43 | 1401667 | PIASTRINA FERMA GANASCE | Plaettchen | Plate | Plaquette | Lamina |
| 44 | 9001014 | VITE TE M 8 X 16 N UNI 5739 TF | Schraube | Screw | Vis | Tornillo |
| 45 | 9041001 | ROSETTA GROWER Ø 8N | Unterlegscheibe | Washer | Rondelle | Arandela |
| 46 | 9042002 | ROSETTA PIANA PER M 8 NERA UNI 6592 | Unterlegscheibe | Washer | Rondelle | Arandela |
| 47 | 99 | NON FORNITO SINGOLARMENTE | Nicht Einzeln Lieferbar | Not Supplied Alone | Pas Vendus Tout Soul | Indisponible Suelto |
| 48 | 99 | NON FORNITO SINGOLARMENTE | Nicht Einzeln Lieferbar | Not Supplied Alone | Pas Vendus Tout Soul | Indisponible Suelto |
| 49 | 1401580 | CEPPO PORTAGANASCE SX ASS. | Bremsbacke | Brake Shoe | Machoire De Frein | Zapata De Freno |
| 50 | 1401581 | CEPPO PORTAGANASCE DX ASS | Bremsbacke | Brake Shoe | Machoire De Frein | Zapata De Freno |

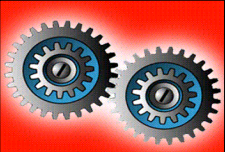


VERSIONE
14 HP

VERSIONE
10 HP

| POS | CODE | DESCRIZIONE | BESCHREIBUNG | DESCRIPTION | DESCRIPTION | DESCRIZIONES | |
|---|------|-------------|------------------------------------|------------------------|--------------------|----------------------|---------------------|
|  Tav: FRIZIONE B0145 CLUTCH | 1 | 9052007 | ROSETTA PIANA M 12 ZINC. UNI 6592 | Unterlegscheibe | Washer | Rondelle | Arandela |
| | 2 | 9051005 | ROSETTA GROWER M 12 ZINC. UNI 1751 | Unterlegscheibe | Washer | Rondelle | Arandela |
| | 3 | 9001036 | VITE TE M 12 X 45 N | Schraube | Screw | Vis | Tornillo |
| | 4 | 4407474 | DISCO FRIZIONE | Kupplungsscheibe | Clutch Plate | Disque D'Embrayage | Disco Del Embrague |
| | 5 | 2867475 | FRIZIONE B 155 ASSIEME | Kupplung | Clutch | Embrayage | Embrague |
| | 6 | 1401673 | MOLLA PER MANICOTTO FRIZ. 14 HP | Feder | Spring | Ressort | Resorte |
| | 7 | 1401672 | MANICOTTO+CUSC+MOLLA (X 2867475) | Druckplatte | Pressure Plate | Plateau De Pressio' | Plato De Empuje |
| | 8 | 2867475 | FRIZIONE B 155 ASSIEME | Kupplung | Clutch | Embrayage | Embrague |
| | 9 | 1401540 | LEVA FRIZIONE 14 HP ASSIEME | Hebel | Lever | Levier | Palanca |
| | 10 | 99 | NON FORNITO SINGOLARMENTE | Nicht Einzel Lieferbar | Not Supplied Alone | Pas Vendus Tout Soul | Indisponible Suelto |
| | 11 | 99 | NON FORNITO SINGOLARMENTE | Nicht Einzel Lieferbar | Not Supplied Alone | Pas Vendus Tout Soul | Indisponible Suelto |
| | 12 | 9131006 | SPINA SPIROL 6 X 24 | Stift | Pin | Goupille | Pasador |
| | 13 | 9131002 | SPINA SPIROL 4 X 24 UNI 6875 | Spannstift | Spring Pin | Goupille Elastique | Pasador Elastico |
| | 14 | 8900075 | RASAMENTO 18-28-0,6 | Distanzstück | Spacer | Entretoise | Separador |
| | 15 | 1401569 | BOCCOLA SINT. 18-23-12 | Buchse | Bushing | Coussinet en bronze | Casquillo |
| | 16 | 1401641 | DISTANZIALE L=32,5 | Distanzstück | Spacer | Entretoise | Separador |
| | 17 | 1401502 | FLANGIA MOTORE IN ALL. 14 HP | Flansch | Flange | Bride | Brida |
| | 18 | 9059014 | ANELLO SEEGER ø 18 E DIN 471 | Sicherungsring | Lockring | Bague d'arret | Anillo de tope |
| | 19 | 1401541 | GUARNIZIONE ANTERIORE MC 14 | Dichtung | Gasket | Joint | Junta |
| | 20 | 1401564 | FLANGIA MOTORE IN ALL. 10 HP | Flansch | Flange | Bride | Brida |
| | 21 | 9043002 | ROSETTA ZIGRINATA SCHNORR D.10 | Unterlegscheibe | Washer | Washer | Arandela |
| | 22 | 9012009 | VITE TCEI M 10 X 30 PUNI 5931 | Schraube | Screw | Vis | Tornillo |
| | 23 | 1401642 | DISTANZIALE L 40,5 | Distanzstück | Spacer | Entretoise | Separador |
| | 24 | 99 | NON FORNITO SINGOLARMENTE | Nicht Einzel Lieferbar | Not Supplied Alone | Pas Vendus Tout Soul | Indisponible Suelto |
| | 25 | 99 | NON FORNITO SINGOLARMENTE | Nicht Einzel Lieferbar | Not Supplied Alone | Pas Vendus Tout Soul | Indisponible Suelto |
| | 26 | 1401599 | LEVA FRIZIONE 10 HP ASSIEME | Hebel | Lever | Levier | Palanca |
| | 27 | 1401674 | CUSCINETTO E CUFFIE ASS | Kugellager | Bearing | Roulement | Cojinete |
| | 28 | 1007532 | MANICOTTO BROCCIATO | Muffe | Coupling | Manchon | Manguito |
| | 29 | 1007542 | MANICOTTO FRIZIONE | Muffe | Coupling | Manchon | Manguito |
| | 30 | 9031002 | DADO BASSO M 6 ZINC. UNI 5589 | Mutter | Nut | Ecrou | Tuerca |
| | 31 | 1007533 | LINGUETTA DI FERMO | Lasche | Feather key | Languette | Linguete |
| | 32 | 9132008 | SPINA ELASTICA | Spannstift | Spring Pin | Goupille Elastique | Pasador Elastico |
| | 33 | 1007531 | DISCO FISSO PER FRIZIONE ZEBRA | Disk | Disc | Disque d'embrayage | Disco de embrague |
| | 34 | 1007526 | DISCO FRIZIONE | Kupplungsscheibe | Disc - clutch | Disque d'embrayage | Disque embrague |
| | 35 | 1007530 | PIASTRINA FERMO VITI | Platte | Plate | Bande | Placa |
| | 36 | 1007529 | SPINGIDISCO | Druckplatte | Pressure plate | Plateau de pression | Plato de empuje |
| | 37 | 9102002 | CUSCINETTO A SFERE 6205 2RS | Kugellager | Ball Bearing | Roulement A Billes | Rodamiento De Bola |
| | 38 | 9058002 | ANELLO SEEGER ø 52 I DIN 472 | Ring | Ring | Bague | Anillo |
| | 39 | 1007527 | MOLLA SPINGIDISCO | Feder | Spring | Ressort | Resorte |
| | 40 | 1007525 | FLANGIA FRIZIONE | Flansch | Flange | Bride | Brida |
| | 41 | 1007528 | COLONNETTA PLATORELLO FIZ. | Verlängerungstück | Extension | Entretoise | Distanciadador |

| POS | CODE | DESCRIZIONE | BESCHREIBUNG | DESCRIPTION | DESCRIPTION | DESCRIPCIONES |
|-----|---------|-------------------------------|-----------------|-------------|-------------|---------------|
| 42 | 1401565 | CONTRO FLANGIA HP 10 | Flansch | Flange | Bride | Brida |
| 43 | 1007551 | FRIZIONE MONODISCO TN 10CV | Kupplung | Clutch | Embrayage | Embrague |
| 44 | 9002036 | VITE TCEI M 8 X 22 N UNI 5931 | Schraube | Screw | Vis | Tornillo |
| 45 | 9043001 | ROSETTA SCHNOOR Ø 8 | Unterlegscheibe | Washer | Rondelle | Arandela |



Tav:
FRIZIONE

B0145

CLUTCH

Model

14 15 100

14 15 101

14 15 103

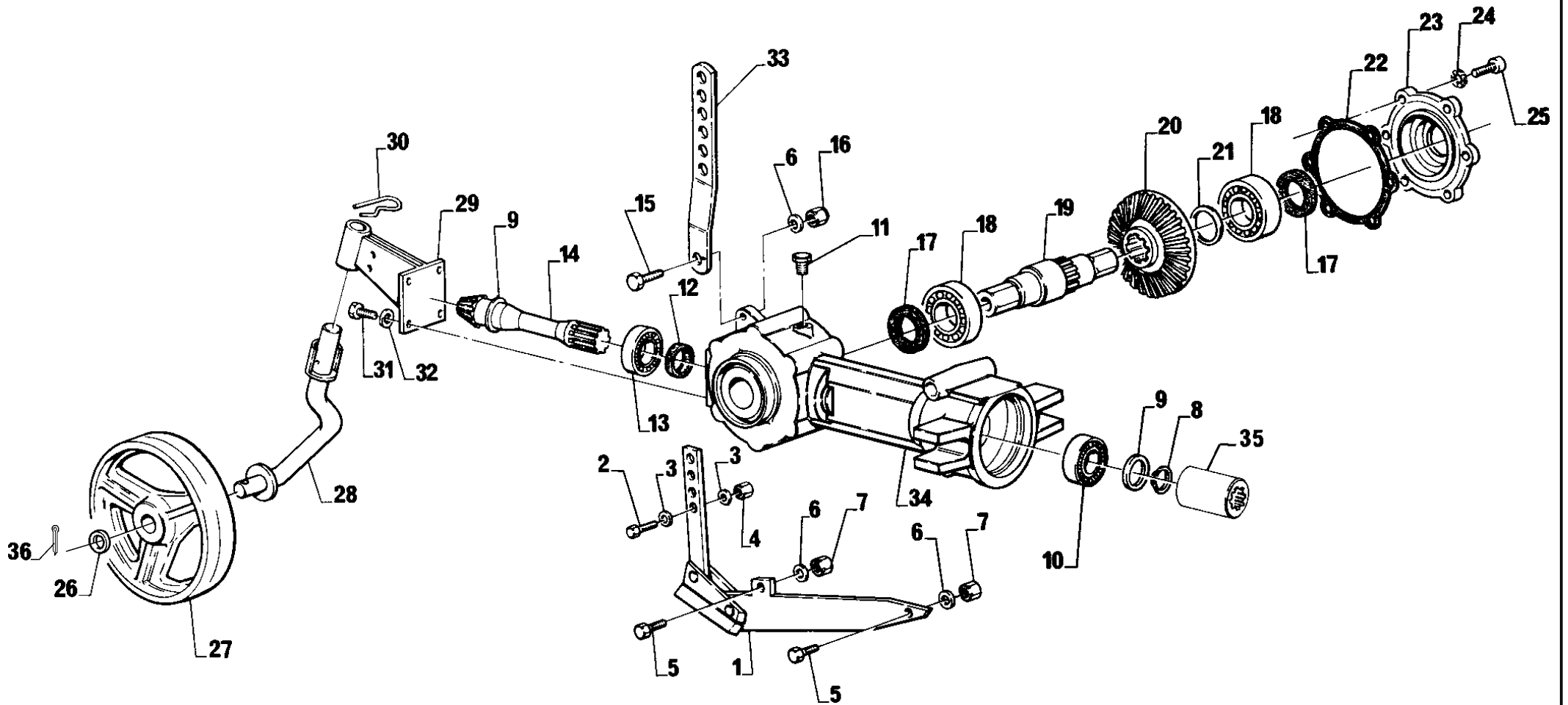
14 15 104



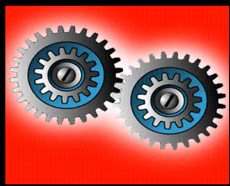
IT - PARTI DI RICAMBIO
EN - SPARE PARTS
DE - ERSATZTEILE
FR - PIECES DE RECHANGE
ES - PIEZAS DE REPUESTO



Release: 0498



B0149



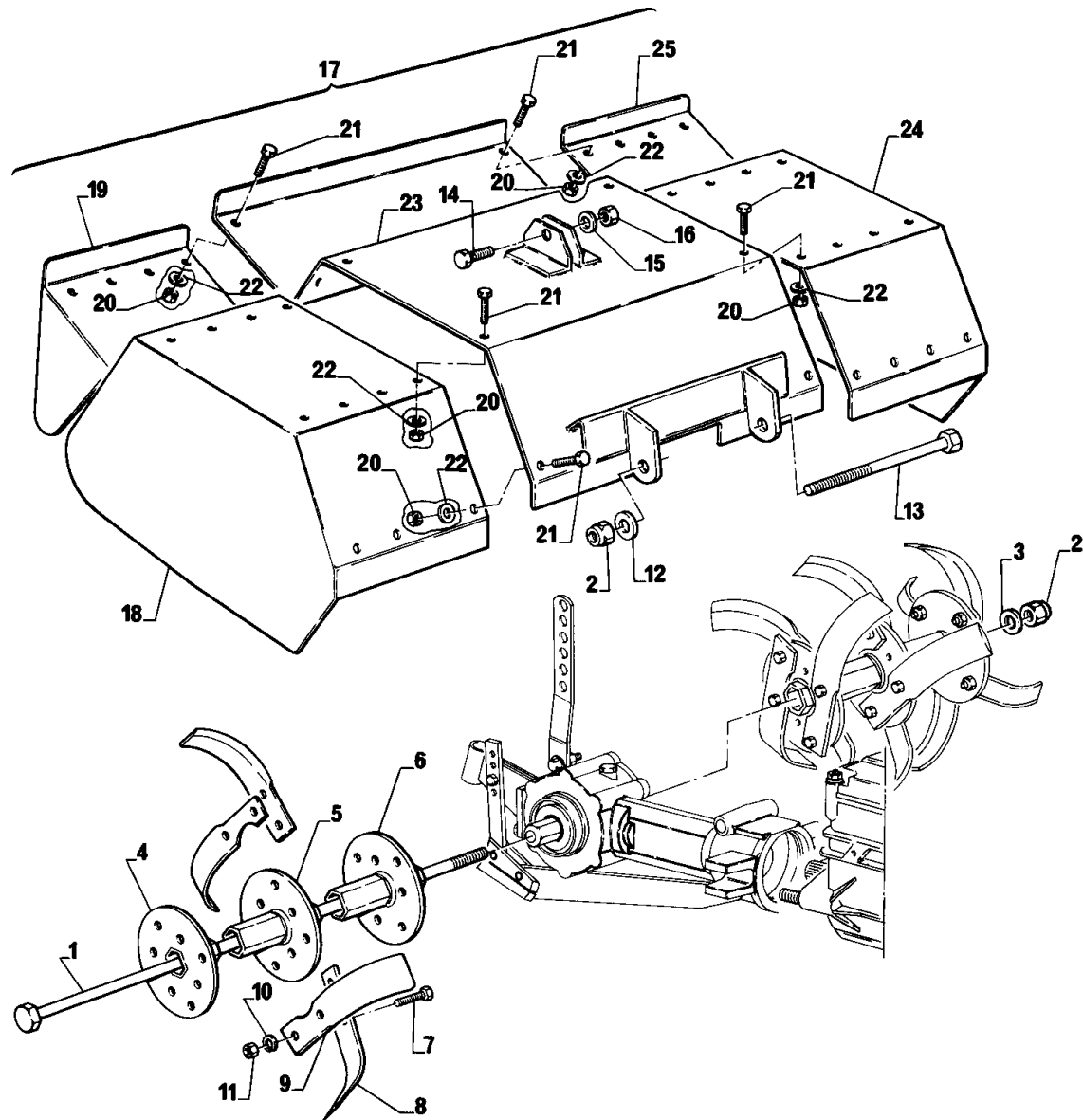
Model:
FRESA VT

Tav:
GAMBO FRESA

B0149

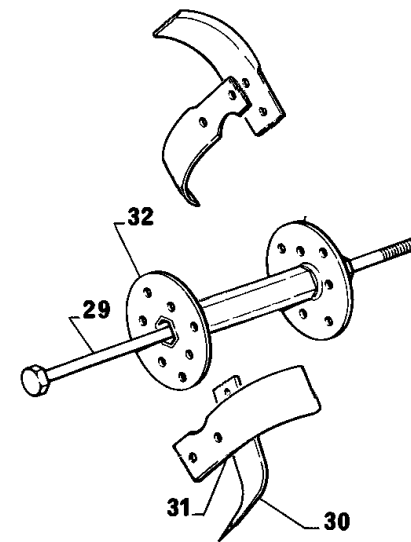
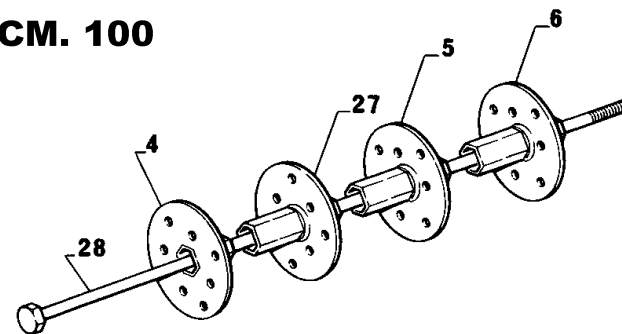
TILLER GEARBOX

| POS | CODE | DESCRIZIONE | BESCHREIBUNG | DESCRIPTION | DESCRIPTION | DESCRIZIONES |
|-----|---------|--------------------------------------|-----------------|----------------|----------------------|------------------------|
| 1 | 1408071 | FALCIONE FRESA COMPLETO | Stossfuss | Spurn | Eperon | Espolon |
| 2 | 9001008 | VITE TE M 8 X 30 N UNI 5739 TF | Schraube | Screw | Vis | Tornillo |
| 3 | 9042002 | ROSETTA PIANA PER M 8 NERA UNI 6592 | Unterlegscheibe | Washer | Rondelle | Arandela |
| 4 | 9022001 | DADO ALTO M 8 NERO UNI 5587 | Mutter | Nut | Ecrou | Tuerca |
| 5 | 9001022 | VITE TE M 12 X 40 N | Schraube | Screw | Vis | Tornillo |
| 6 | 9051005 | ROSETTA GROWER M 12 ZINC. UNI 1751 | Unterlegscheibe | Washer | Rondelle | Arandela |
| 7 | 9022003 | DADO ALTO M10 | Mutter | Nut | Ecrou | Tuerca |
| 8 | 9042003 | ROSETTA PIANA Ø 10 | Unterlegscheibe | Washer | Rondelle | Arandela |
| 8 | 9059010 | ANELLO SEEGER ø 30 E DIN 471 | Sicherungsring | Lockring | Bague d'arret | Anillo de tope |
| 9 | 8900031 | RASAMENTO 30,2-39,8-0,2 | Ring | Ring | Bague | Anillo |
| 10 | 9102011 | CUSC.A SFERE 6006 2RS | Kugellager | Ball Bearing | Roulement A Billes | Rodamiento De Bolas |
| 11 | 1306012 | TAPPO CONICO CARICO OLIO 1_4 Inch | Stopfen | Cap | Bouchon | Tapòn |
| 12 | 9111031 | ANELLO TENUTA 30-40-7 | Dichtring | Seal Ring | Bague d'étanchèité | Anillo Reten |
| 13 | 9130008 | CUSC.A RULLI CONICI 32006 X/Q | Rollenlager | Roller Bearing | Roulement A Rouleaux | Rodamiento de Rodillos |
| 14 | 1408002 | PIGNONE CONICO FRESA X VERS B | Ritzel | Pinion | Pignon | Piñon |
| 15 | 9001012 | VITE TE M10X35 ZN B. UNI 5739 | Schraube | Screw | Vis | Tornillo |
| 16 | 9024005 | DADO AUTOBL. ALTO M10 ZINC. UNI 7473 | Mutter | Nut | Ecrou | Tuerca |
| 17 | 9112009 | AN. TENUTA 35-52-7RP | Dichtring | Seal Ring | Bague d'étanchèité | Anillo Reten |
| 18 | 9101009 | CUSC.A SFERE 6207 | Kugellager | Ball Bearing | Roulement A Billes | Rodamiento De Bolas |
| 19 | 1408008 | ALBERO FRESA C/ESAG.27 | Welle | Shaft | Arbre | Eje |
| 20 | 1408007 | CORONA CONICA FRESA | Zahnkranz | Ring Gear | Couronne Dentee | Corona Dentada |
| 21 | 8900033 | RASAMENTO | Ring | Ring | Bague | Anillo |
| 22 | 1408006 | GUARNIZIONE COPERCHIO G.F | Dichtung | Gasket | Joint | Junta |
| 23 | 1408012 | COPERCHIO LATERALE G.FRESA | Deckel | Cover | Couvercle | Tapa |
| 24 | 9043002 | ROSETTA ZIGRINATA SCHNORR D.10 | Unterlegscheibe | Washer | Washer | Arandela |
| 25 | 9002011 | VITE TCEI M10X25 ZN B. UNI 5931 | Schraube | Screw | Vis | Tornillo |
| 26 | 9052004 | ROSETTA PIANA M 16 ZINC. UNI 6592 | Unterlegscheibe | Washer | Rondelle | Arandela |
| 27 | 9901451 | RUOTINO TRASF. 150X40 F.15 C/COPER. | RAD | WHEEL | ROUE | RUEDA |
| 28 | 6802572 | PORTARUOTINO FRESA B. | Halterung | Support | Support | Soporte |
| 29 | 1606014 | PIASTRA P/RUOTINO +0031410+1306011 | Platte | Plate | Paque | Placa |
| 30 | 9901002 | SPINA DI FERMO D.3 A 'R' | Spannstift | Spring Pin | Goupille Elastique | Pasador Elastico |
| 31 | 9001014 | VITE TE M 8 X 16 N UNI 5739 TF | Schraube | Screw | Vis | Tornillo |
| 32 | 9043001 | ROSETTA SCHNOOR Ø 8 | Unterlegscheibe | Washer | Rondelle | Arandela |
| 33 | 1408010 | LAMA REGOLAZIONE COFANO FRESA MC14 | Messer | Blade | Couteau | Cuchilla |
| 34 | 1408001 | GAMBO FRESA | Antrieb | Transmission | Transmission | Transmission |
| 35 | 1408004 | BOCCOLA DI GIUNZIONE | Büchse | Bushing | Douille | Casquillo |
| 36 | 9035001 | COPIGLIA 3X20 ZN BIANCA UNI 1336 | SPLINT | PIN | GOUPILLE FENDUE | PASADOR |

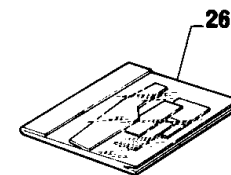


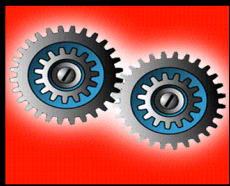
CM. 80

CM. 100



CM. 80 PESANTE





Modell:
FRESA VT

Tav:
FRESA

B0150

ROTARY TILLER

| POS | CODE | DESCRIZIONE | BESCHREIBUNG | DESCRIPTION | DESCRIPTION | DESCRIZIONES |
|-----|----------|--------------------------------------|-------------------------|--------------------|----------------------|---------------------|
| 1 | 1615003 | TIRANTE FRESA CM 67 M 14 | Zugbolzen | Tie rod | Tirant | Tirante |
| 2 | 9023002 | DADO AUTOBL. M14 ZN BASSO DIN 985 | Mutter | Nut | Ecrou | Tuerca |
| 3 | 6802564A | ROSETTA PIANA Ø 14 | Unterlegscheibe | Washer | Rondelle | Arandela |
| 4 | 1606028 | FLANGIA TERMINALE | Flansch | Flange | Bride | Brida |
| 5 | 1606027 | FLANGIA INTERMEDIA | Flansch | Flange | Bride | Brida |
| 6 | 1606016 | FLANGIA PORTALAME | Flansch | Flange | Bride | Brida |
| 7 | 9001012 | VITE TE M10X35 ZN B. UNI 5739 | Schraube | Screw | Vis | Tornillo |
| 8 | 1606004 | LAMA FR. MC 16 DX | Messer | Blade | Couteau | Cuchilla |
| 9 | 1606005 | LAMA FR. MC 16 SX | Messer | Blade | Couteau | Cuchilla |
| 10 | 9041003 | ROSETTA GROWER Ø 10 | Unterlegscheibe | Washer | Rondelle | Arandela |
| 11 | 9022003 | DADO ALTO M10 | Mutter | Nut | Ecrou | Tuerca |
| 12 | 9052008 | ROSETTA PIANA M14 ZINC. UNI 7473 | Unterlegscheibe | Washer | Rondelle | Arandela |
| 13 | 9011072 | VITE TE M 14 X 130 PUNI 5737 | Schraube | Screw | Vis | Tornillo |
| 14 | 9011006 | VITE TE M 10 X 30 ZINC. UNI 5739 TF | Schraube | Screw | Vis | Tornillo |
| 15 | 9052001 | ROSETTA PIANA Ø 10 UNI 6592 | Unterlegscheibe | Washer | Rondelle | Arandela |
| 16 | 9032003 | DADO M10 | Mutter | Nut | Ecrou | Tuerca |
| 17 | 6802565 | COFANO FRESA CM. 80 | Haube | Cover | Capot | Cofano |
| 18 | 99 | NON FORNITO SINGOLARMENTE | Nicht Einzeln Lieferbar | Not Supplied Alone | Pas Vendus Tout Soul | Indisponible Suelto |
| 19 | 99 | NON FORNITO SINGOLARMENTE | Nicht Einzeln Lieferbar | Not Supplied Alone | Pas Vendus Tout Soul | Indisponible Suelto |
| 20 | 9021002 | DADO BASSO M 10 NERO | Mutter | Nut | Ecrou | Tuerca |
| 21 | 9001010 | VITE TE M 10 X 16 N UNI 5739 TF | Schraube | Screw | Vis | Tornillo |
| 22 | 9042003 | ROSETTA PIANA Ø 10 | Unterlegscheibe | Washer | Rondelle | Arandela |
| 23 | 99 | NON FORNITO SINGOLARMENTE | Nicht Einzeln Lieferbar | Not Supplied Alone | Pas Vendus Tout Soul | Indisponible Suelto |
| 24 | 99 | NON FORNITO SINGOLARMENTE | Nicht Einzeln Lieferbar | Not Supplied Alone | Pas Vendus Tout Soul | Indisponible Suelto |
| 25 | 99 | NON FORNITO SINGOLARMENTE | Nicht Einzeln Lieferbar | Not Supplied Alone | Pas Vendus Tout Soul | Indisponible Suelto |
| 26 | 9901359 | KIT ETICHETTE AUTOADESIVE FRESA CM80 | Aufkleber | Stickers | Adhesif | Calcomania |
| 27 | 3702384 | FLANGIA INTER. FRESA CM100 | Flansch | Flange | Bride | Brida |
| 28 | 3702202 | TIRANTE FRESA CM 95 M 14 | Zugbolzen | Tie rod | Tirant | Tirante |
| 29 | 1401707 | TIRANTE CM62 X M14 | Zugbolzen | Tie rod | Tie rod | Tirante |
| 30 | 1408042 | LAMA (SX) | Messer L. | Blade L. | Couteau G. | Cuchilla Iz. |
| 31 | 1408043 | LAMA (DX) | Messer R. | Blade R. | Couteau D. | Cuchilla D. |
| 32 | 3702385 | SUPPORTO (SENZA LAME) | Halterung | Support | Support | Soporte |

Model

14 15 110

14 15 111

14 15 113

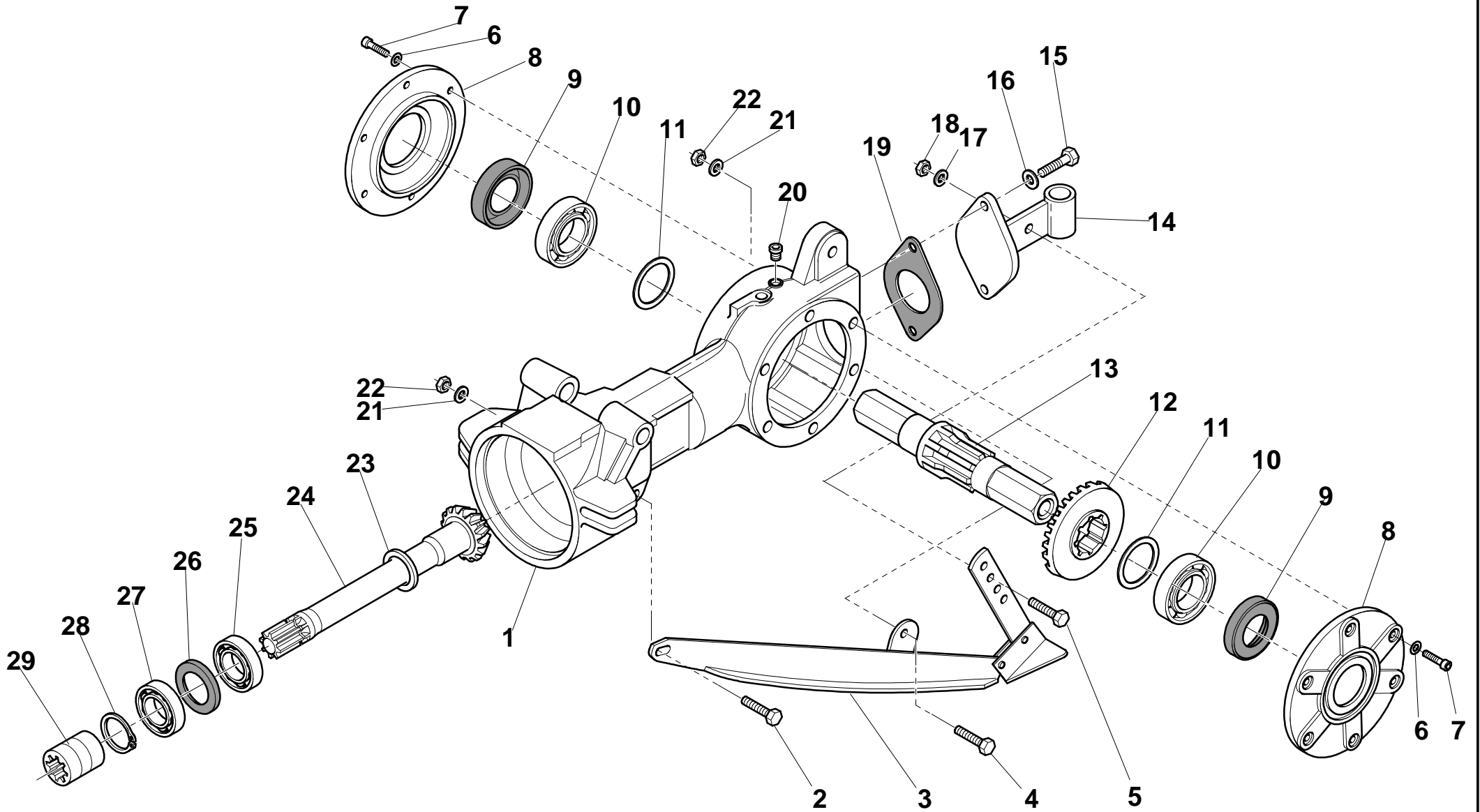
14 15 114

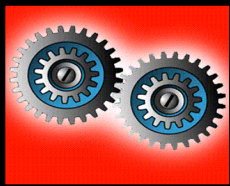


IT - PARTI DI RICAMBIO
EN - SPARE PARTS
DE - ERSATZTEILE
FR - PIECES DE RECHANGE
ES - PIEZAS DE REPUESTO



Release: 0909





Modell:
FRESA NT

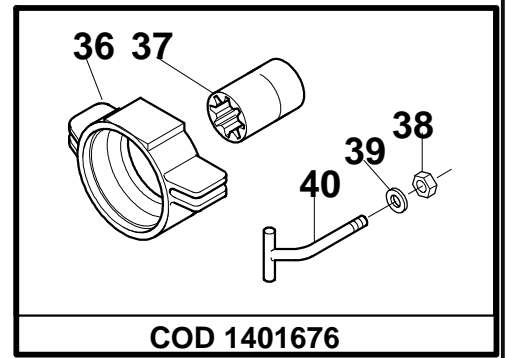
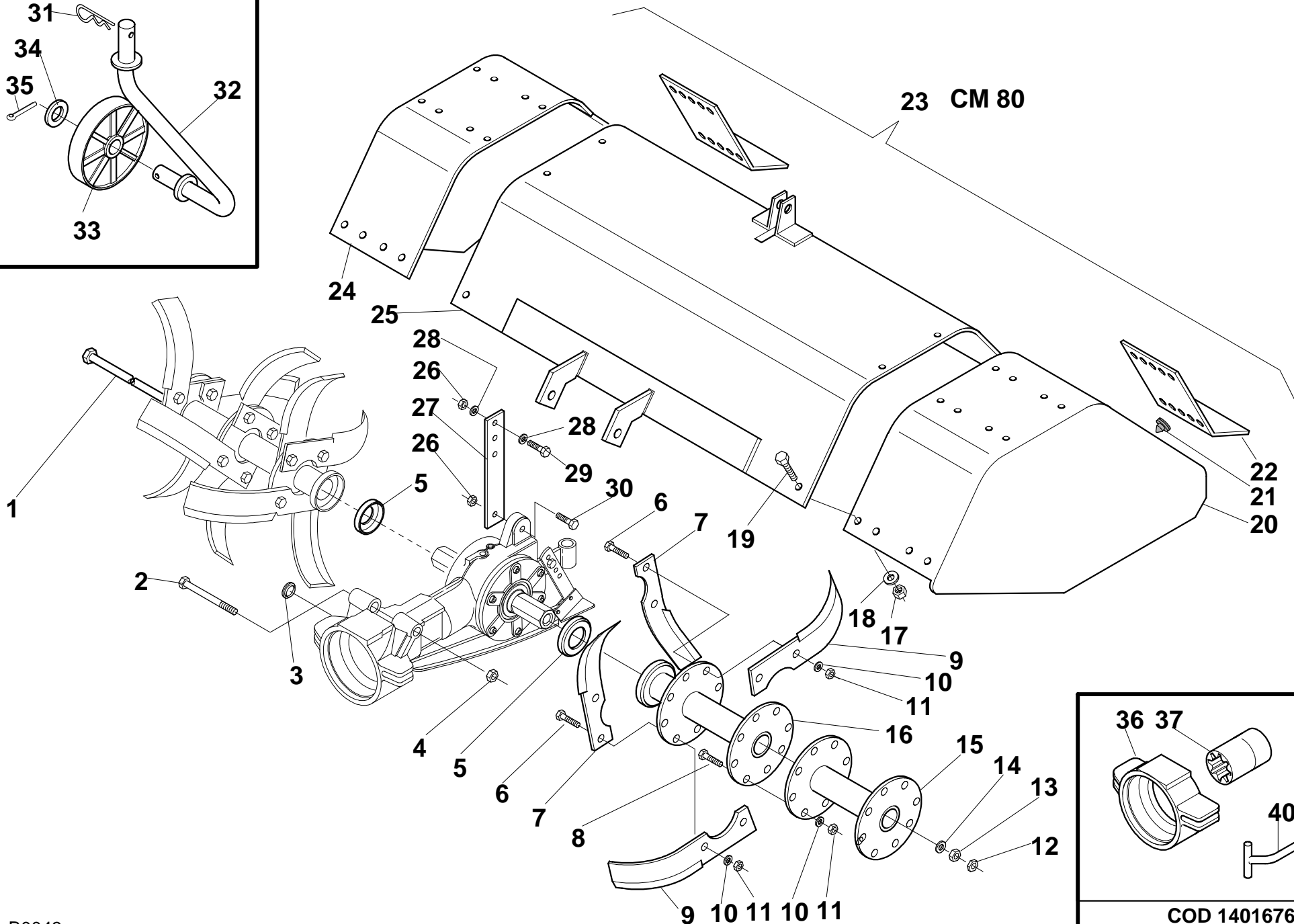
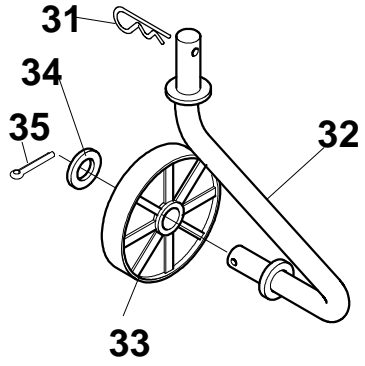
Tav:
GAMBO FRESA

B0042

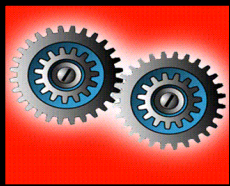
TILLER GEARBOX

| POS | CODE | DESCRIZIONE | BESCHREIBUNG | DESCRIPTION | DESCRIPTION | DESCRIZIONES |
|-----|------------|-------------------------------------|-----------------|---------------|--------------------|-------------------|
| 1 | RF15401007 | CARTER GAMBO FRESA VERS. B | Gehäuse | Gearbox | Boite | Caja |
| 2 | 9001012 | VITE TE M10X35 ZN B. UNI 5739 | Schraube | Screw | Vis | Tornillo |
| 3 | 1408071 | FALCIONE FRESA COMPLETO | Stossfuss | Spurn | Eperon | Espolon |
| 4 | 9011006 | VITE TE M 10 X 30 ZINC. UNI 5739 TF | Schraube | Screw | Vis | Tornillo |
| 5 | 9001088 | VITE TE M8X30 ZN B. UNI 5739 | Schraube | Screw | Vis | Tornillo |
| 6 | 9043002 | ROSETTA ZIGRINATA SCHNORR D.10 | Unterlegscheibe | Washer | Washer | Arandela |
| 7 | 9002011 | VITE TCEI M10X25 ZN B. UNI 5931 | Schraube | Screw | Vis | Tornillo |
| 8 | RF15403008 | COPERC. LAT. GAMBO FRESA VERS. B. | DECKEL | COVER | COUVERCLE | TAPA |
| 9 | 9112009 | AN. TENUTA 35-52-7RP | Dichtring | Seal Ring | Bague d'étanchèité | Anillo Reten |
| 10 | 9101009A | CUSCIN. 6207 2F | Kugellager | Bearing | Roulement | Cojinete |
| 11 | RF19956047 | SPESSORE ACC. 35-45-0,5 | Distanzscheibe | Shim | Cale d'epaisseur | Separador |
| 12 | 1408007 | CORONA CONICA FRESA | Zahnkranz | Ring Gear | Couronne Dentee | Corona Dentada |
| 13 | 1408008 | ALBERO FRESA C/ESAG.27 | Welle | Shaft | Arbre | Eje |
| 14 | RF15405009 | FLANGIA ATT. RUOT. D.15 | Flansch | Flange | Flange | Brida |
| 15 | 9002011 | VITE TCEI M10X25 ZN B. UNI 5931 | Schraube | Screw | Vis | Tornillo |
| 16 | RF19955274 | ROSETTA ELAS.D.10 ZN B. DIN 128B | Federscheibe | Spring washer | Rondelle elastique | Arandela |
| 17 | RF19955052 | ROND.PIANA D.8X16X1,5 ZN.B. UNI6592 | Unterlegscheibe | Washer | Rondelle | Arandela |
| 18 | 9024002 | DADO AUTOBL. M8 | Mutter | Nut | Ecrou | Tuerca |
| 19 | RF15216014 | GUARNIZ. FLANGIA RUOTINO | Dichtung | Gasket | Joint | Junta |
| 20 | RF15005014 | TAPPO SCARICO OLIO M16X1,5 C/RONDEL | Stopfen | Cap | Bouchon | Tapòn |
| 21 | RF19955274 | ROSETTA ELAS.D.10 ZN B. DIN 128B | Federscheibe | Spring washer | Rondelle elastique | Arandela |
| 22 | 9031105 | DADO ESAG. M10 ZN B. NORM. UNI 5588 | Mutter | Nut | Ecrou | Tuerca |
| 23 | RF19956044 | SPESSORE ACC. 30-40-1 | Distanzscheibe | Shim | Cale d'epaisseur | Separador |
| 24 | 1408002 | PIGNONE CONICO FRESA X VERS B | Ritzel | Pinion | Pignon | Piñon |
| 25 | RF19902831 | CUSCIN. 3206 2F | Kugellager | Bearing | Roulement | Cojinete |
| 26 | RF19922223 | AN. TENUTA 30-55-7 | Dichtring | Seal Ring | Bague d'étanchèité | Anillo Reten |
| 27 | 9102011A | CUSCIN. 6006-2RS 2F | Kugellager | Bearing | Roulement | Cojinete |
| 28 | RF1955530 | ANELLO ELASTICO E30 S/GOBBA UNI7435 | Sicherungsring | Lock Ring | Bague d'arret | Arandela De Freno |
| 29 | RF15404013 | MANICOTTO INN. FRESA X VERS B. | Muffe | Coupling | Manchon | Manguito |

COD. 6815010



COD 1401676



Model:
FRESA NT

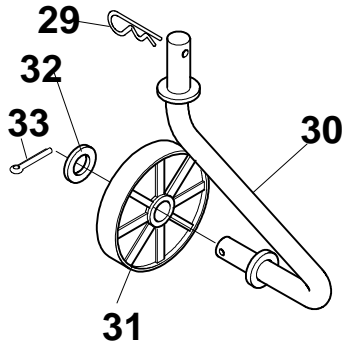
Tav:
FRESA CM 80

B0043

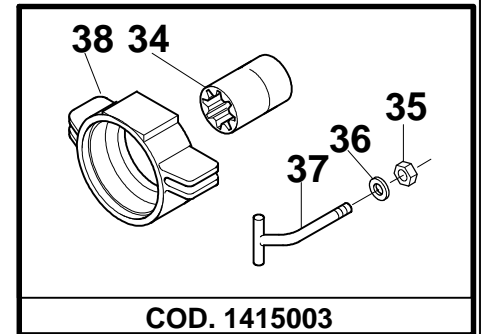
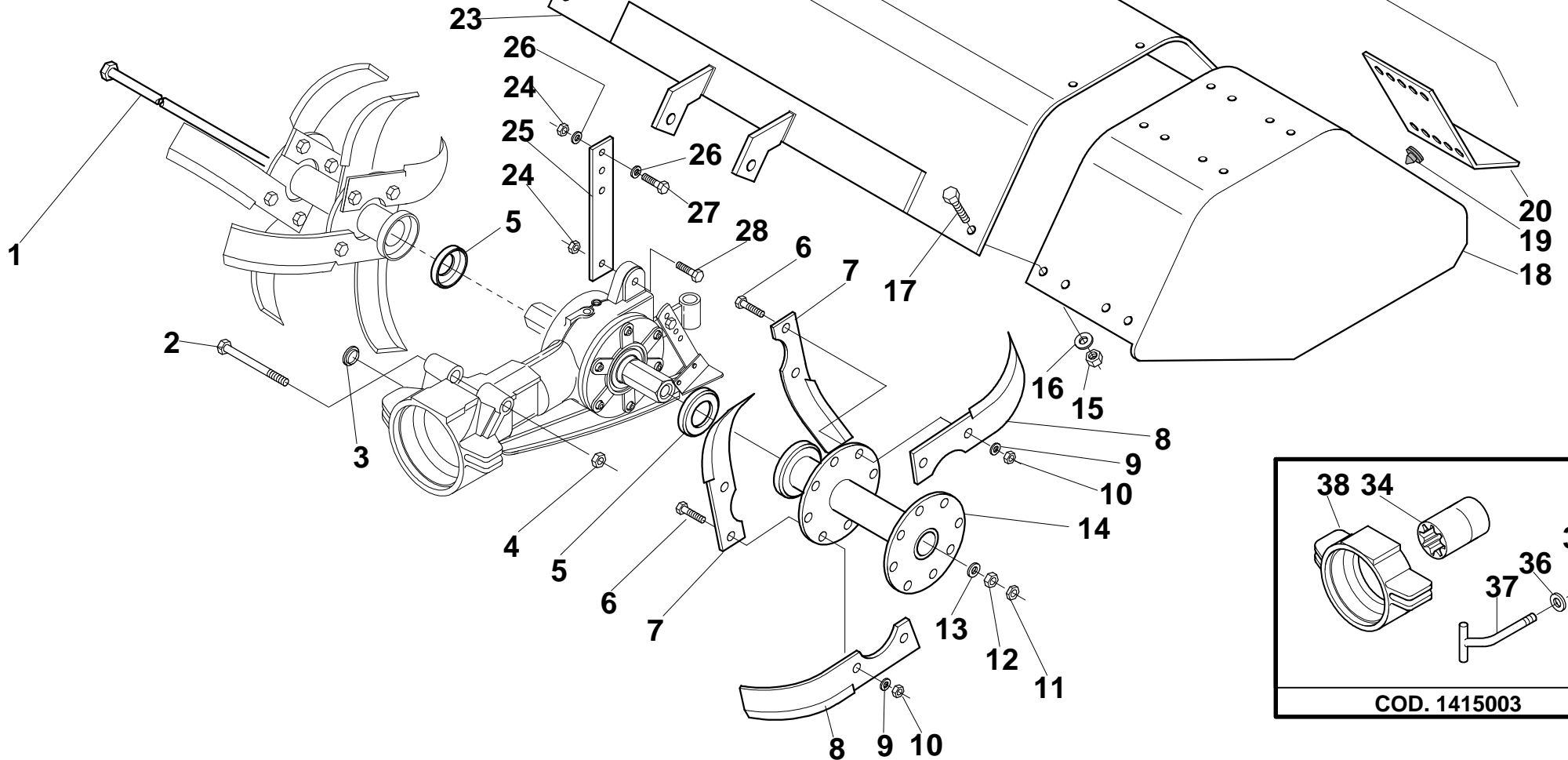
ROTARY TILLER

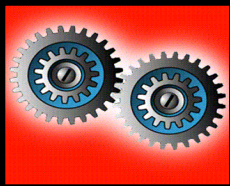
| POS | CODE | DESCRIZIONE | BESCHREIBUNG | DESCRIPTION | DESCRIPTION | DESCRIZIONES |
|-----|------------|-------------------------------------|-------------------------|--------------------|---------------------|---------------------|
| 1 | RF15405031 | TIRANTE FRESA 6 EL. VERS.B | Zugbolzen | Tie rod | Tirant | Tirante |
| 2 | RF19952682 | VITE TE M14X180 ZN B. UNI 5737 | Schraube | Screw | Vis | Tornillo |
| 3 | RF19922312 | TAPPO IN PLASTICA D.12 | Stopfen | Cap | Bouchon | Tapòn |
| 4 | 9023002 | DADO AUTOBL. M14 ZN BASSO DIN 985 | Mutter | Nut | Ecrou | Tuerca |
| 5 | 0606015 | COPERCHIO PARAPOLVERE ES.20 H = 8 | Deckel | Cover | Couvercle | Tapa |
| 6 | 9011009 | VITE TE M 10X25 | Schraube | Screw | Vis | Tornillo |
| 7 | 1408099 | LAMA FRESA SX MC14 | Messer L. | Blade L | Lame G. | Cuchilla Iz. |
| 8 | 9011006 | VITE TE M 10 X 30 ZINC. UNI 5739 TF | Schraube | Screw | Vis | Tornillo |
| 9 | 1408098 | LAMA FRESA DX MC14 | Messer R. | Blade R | Lame D. | Cuchilla De. |
| 10 | RF19955274 | ROSETTA ELAS.D.10 ZN B. DIN 128B | Federscheibe | Spring washer | Rondelle elastique | Arandela |
| 11 | RF19954046 | DADO ESAG. M10 ZN B. NORM. UNI 5588 | Mutter | Nut | Ecrou | Tuerca |
| 12 | 9031003 | DADO BASSO M 14 ZINC. UNI 5589 | Mutter | Nut | Ecrou | Tuerca |
| 13 | 9032007 | DADO ESAG. M14 ZN B. ALTO UNI 5587 | Mutter | Nut | Ecrou | Tuerca |
| 14 | RF15405035 | ROND. D.14X26X7 FRESA 6EL. CENT. B | Unterlegscheibe | Washer | Rondelle | Arandela |
| 15 | RF15405036 | SUPP. ZAPPE FRESA 6EL. | Halterung | Support | Support | Soporte |
| 16 | RF15405037 | SUPP. ZAPPE FRESA 6EL C/PAR. VERS B | Halterung | Support | Support | Soporte |
| 17 | RF19954046 | DADO ESAG. M10 ZN B. NORM. UNI 5588 | Mutter | Nut | Ecrou | Tuerca |
| 18 | RF19955274 | ROSETTA ELAS.D.10 ZN B. DIN 128B | Federscheibe | Spring washer | Rondelle elastique | Arandela |
| 19 | 9011008 | VITE TE M10X16 ZN B. UNI 5739 | Schraube | Screw | Vis | Tornillo |
| 20 | 99 | NON FORNITO SINGOLARMENTE | Nicht Einzeln Lieferbar | Not Supplied Alone | Pas Vendus Tout Sou | Indisponible Suelto |
| 21 | 14680600 | GOMMINO | Abdichtungsring | Packing Ring | Bague En Caoutchouc | Anillo De Goma |
| 22 | 99 | NON FORNITO SINGOLARMENTE | Nicht Einzeln Lieferbar | Not Supplied Alone | Pas Vendus Tout Sou | Indisponible Suelto |
| 23 | 1408096 | COFANO FRESA CM. 80 *F | Haube | Cover | Capot | Cofano |
| 24 | 99 | NON FORNITO SINGOLARMENTE | Nicht Einzeln Lieferbar | Not Supplied Alone | Pas Vendus Tout Sou | Indisponible Suelto |
| 25 | 99 | NON FORNITO SINGOLARMENTE | Nicht Einzeln Lieferbar | Not Supplied Alone | Pas Vendus Tout Sou | Indisponible Suelto |
| 26 | 9023002 | DADO AUTOBL. M14 ZN BASSO DIN 985 | Mutter | Nut | Ecrou | Tuerca |
| 27 | RF15215061 | ASTA REGOL. COFANO FRESA CENTAURO | Stange | Rod | Tige | Tirante |
| 28 | RF19955012 | ROND.PIANA D.12X24X2,5 ZN.B.UNI6592 | Unterlegscheibe | Washer | Rondelle | Arandela |
| 29 | 9011047 | VITE TE M7X40 UNI 5737 | Schraube | Screw | Vis | Tornillo |
| 30 | 9011075 | VITE TE M12X45 ZN B. UNI 5737 | Schraube | Screw | Vis | Tornillo |
| 31 | 9901002 | SPINA DI FERMO D.3 A 'R' | Spannstift | Spring Pin | Goupille Elastique | Pasador Elastico |
| 32 | 6802572 | PORTARUOTINO FRESA B. | Halterung | Support | Support | Soporte |
| 33 | 9901451 | RUOTINO TRASF. 150X40 F.15 C/COPER. | RAD | WHEEL | ROUE | RUEDA |
| 34 | 9052004 | ROSETTA PIANA M 16 ZINC. UNI 6592 | Unterlegscheibe | Washer | Rondelle | Arandela |
| 35 | 9035001 | COPIGLIA 3X20 ZN BIANCA UNI 1336 | SPLINT | PIN | GOUPILLE FENDUE | PASADOR |
| 36 | 1401688 | PROLUNGA COLLO FRESA | Verlängerung | Extension | Entretoise | Extensión |
| 37 | 1401689 | MANICOTTO X PROLUNGA FRESA | Muffe | Coupling | Manchon | Manguito |
| 38 | 9032004 | DADO ESAG. M16 ZN B. ALTO UNI 5587 | Mutter | Nut | Ecrou | Tuerca |
| 39 | 1401687 | RONDELLA X TIRANTE FRESA D.16 | Unterlegscheibe | Washer | Rondelle | Arandela |
| 40 | 1401676 | TIRANTE ATTACCO FRESA L=155 | Zugbolzen | Tie rod | Tie rod | Tirante |

COD. 6815010



21 CM 80
22 CM 100





Modell:
FRESA NT

Tav:
FRESA PESANTE

B0044

ROTARY TILLER - HEAVY

| POS | CODE | DESCRIZIONE | BESCHREIBUNG | DESCRIPTION | DESCRIPTION | DESCRIZIONES |
|-----|------------|-------------------------------------|-------------------------|--------------------|---------------------|---------------------|
| 1 | 1401707 | TIRANTE CM62 X M14 | Zugbolzen | Tie rod | Tie rod | Tirante |
| 2 | RF19952682 | VITE TE M14X180 ZN B. UNI 5737 | Schraube | Screw | Vis | Tornillo |
| 3 | RF19922312 | TAPPO IN PLASTICA D.12 | Stopfen | Cap | Bouchon | Tapòn |
| 4 | 9023002 | DADO AUTOBL. M14 ZN BASSO DIN 985 | Mutter | Nut | Ecrou | Tuerca |
| 5 | 0606015 | COPERCHIO PARAPOLVERE ES.20 H = 8 | Deckel | Cover | Couvercle | Tapa |
| 6 | 19952730 | VITE | Schraube | Screw | Vis | Tornillo |
| 7 | 1408042 | LAMA (SX) | Messer L. | Blade L. | Couteau G. | Cuchilla Iz. |
| 8 | 1408043 | LAMA (DX) | Messer R. | Blade R. | Couteau D. | Cuchilla D. |
| 9 | 19955274 | RONDELLA ELASTICA | Federscheibe | Spring washer | Rondelle elastique | Arandela |
| 10 | 19954046 | DADO | Mutter | Nut | Ecrou | Tuerca |
| 11 | 19954090 | DADO | Mutter | Nut | Ecrou | Tuerca |
| 12 | 19954008 | DADO | Mutter | Nut | Ecrou | Tuerca |
| 13 | 15405034 | DISTANZIALE | Distanzstück | Spacer | Entretoise | Separador |
| 14 | 3702385 | SUPPORTO (SENZA LAME) | Halterung | Support | Support | Soporte |
| 15 | 19954046 | DADO | Mutter | Nut | Ecrou | Tuerca |
| 16 | 19955274 | RONDELLA ELASTICA | Federscheibe | Spring washer | Rondelle elastique | Arandela |
| 17 | 19952716 | VITE | Schraube | Screw | Vis | Tornillo |
| 18 | 99 | NON FORNITO SINGOLARMENTE | Nicht Einzeln Lieferbar | Not Supplied Alone | Pas Vendus Tout Sou | Indisponible Suelto |
| 19 | 14680600 | GOMMINO | Abdichtungsring | Packing Ring | Bague En Caoutchouc | Anillo De Goma |
| 20 | 99 | NON FORNITO SINGOLARMENTE | Nicht Einzeln Lieferbar | Not Supplied Alone | Pas Vendus Tout Sou | Indisponible Suelto |
| 21 | 1408096 | COFANO FRESA CM. 80 *F | Haube | Cover | Capot | Cofano |
| 22 | 1408097 | COFANO FRESA CM. 100 *F | Haube | Cover | Capot | Cofano |
| 23 | 99 | NON FORNITO SINGOLARMENTE | Nicht Einzeln Lieferbar | Not Supplied Alone | Pas Vendus Tout Sou | Indisponible Suelto |
| 24 | 19954256 | DADO | Mutter | Nut | Ecrou | Tuerca |
| 25 | 15215061 | ASTA | Stange | Rod | Tige | Asta |
| 26 | 19955012 | RONDELLA | Unterlegscheibe | Washer | Rondelle | Arandela |
| 27 | 19952614 | VITE | Schraube | Screw | Vis | Tornillo |
| 28 | 19952619 | VITE | Schraube | Screw | Vis | Tornillo |
| 29 | 9901002 | SPINA DI FERMO D.3 A 'R' | Spannstift | Spring Pin | Goupille Elastique | Pasador Elastico |
| 30 | 6802572 | PORTARUOTINO FRESA B. | Halterung | Support | Support | Soporte |
| 31 | 9901451 | RUOTINO TRASF. 150X40 F.15 C/COPER. | RAD | WHEEL | ROUE | RUEDA |
| 32 | 9052004 | ROSETTA PIANA M 16 ZINC. UNI 6592 | Unterlegscheibe | Washer | Rondelle | Arandela |
| 33 | 9035001 | COPIGLIA 3X20 ZN BIANCA UNI 1336 | SPLINT | PIN | GOUPILLE FENDUE | PASADOR |
| 34 | 1401689 | MANICOTTO X PROLUNGA FRESA | Muffe | Coupling | Manchon | Manguito |
| 35 | 9032004 | DADO ESAG. M16 ZN B. ALTO UNI 5587 | Mutter | Nut | Ecrou | Tuerca |
| 36 | 1401687 | RONDELLA X TIRANTE FRESA D.16 | Unterlegscheibe | Washer | Rondelle | Arandela |
| 37 | 1401676 | TIRANTE ATTACCO FRESA L=155 | Zugbolzen | Tie rod | Tie rod | Tirante |
| 38 | 1401688 | PROLUNGA COLLO FRESA | Verlängerung | Extension | Entretoise | Extensión |